

THE COPYRIGHT IN THIS DRAWING AND ANY INFORMATION OR DESCRIPTIVE MATTER SET OUT HEREON IS THE PROPERTY OF CRUISEMASTER AUSTRALIA PTY LTD AND MUST NOT BE DISCLOSED, COPIED OR USED FOR MANUFACTURING, TECHNICAL OR FOR ANY OTHER PURPOSE WITHOUT CRUISEMASTER AUSTRALIA PTY LTD'S WRITTEN PERMISSION.



CRUISE MASTER

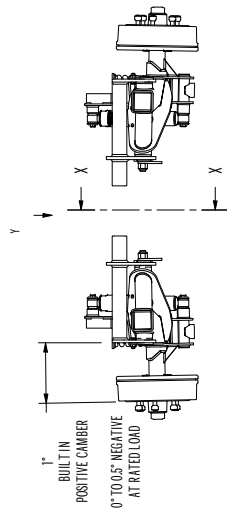
5 - ALIGNMENT

VISIT cruise-master.com.au FOR ADDITIONAL INFORMATION
SEE CRUISEMASTER CAMBER TOE IN ADJUSTER (CS 20)



CAMBER ADJUSTMENT
THE SUSPENSION HAS A DEGREE OF POSITIVE CAMBER BUILT IN TO ENSURE THE WHEELS ARE ALIGNED CORRECTLY UNDER LOAD. WHEELS ARE RECOMMENDED TO HAVE 0° TO 0.5° NEGATIVE CAMBER AT RATED LOAD.

IF ADDITIONAL POSITIVE CAMBER IS NEEDED,
USE ONE OR TWO OFFSET HINGE BUSHES (PART # -3SS-708)
AS REQUIRED TO ADJUST CAMBER.

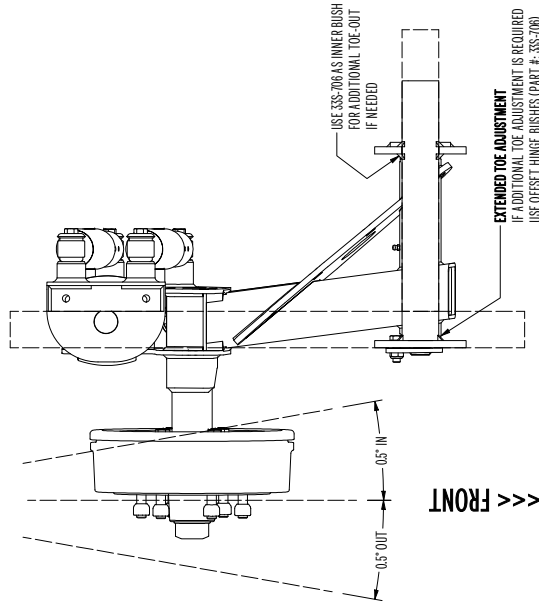
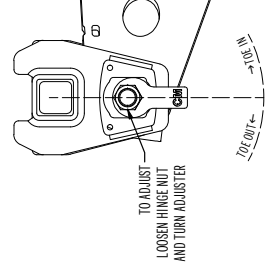


WHEEL ALIGNMENT PROCEDURE

1. ENSURE THE TRAILER IS FULLY LOADED AND ON A FLAT SURFACE. MOVE THE TRAILER BACKWARDS AND FORWARDS TO ELIMINATE ANY TWIST IN THE WHEELS.

MEASUREMENT

2. PLACE A STRAIGHT EDGE ACROSS THE WHEEL, EDGE OF RIM OR DRUM FACE THEN MEASURE THE DISTANCE FROM THE STRAIGHT EDGE TO THE CHASSIS RAIL. (WHEELS ON A SINGLE OR TANDEM FRONT AXLE SHOULD BE ADJUSTED TO HAVE 2MM TOE-IN. WHEELS ON TANDEM REAR AXLE SHOULD MEASURE PARALLEL FROM THE CHASSIS RAIL)



3. IT IS RECOMMENDED TO USE A DIGITAL SPIRIT LEVEL TO MEASURE CAMBER ACROSS THE WHEEL RIM OR DRUM FACE.

TOE ADJUSTMENT

4. LIFT THE VEHICLE TO UNLOAD THE SUSPENSION. DO NOT CLIMB UNDER A VEHICLE WHICH IS ONLY SUPPORTED BY JACKS. ENSURE PROPER VEHICLE STANDS ARE USED.
5. LOOSEN THE HINGE NUT AND TURN THE ADJUSTER IN THE DIRECTION REQUIRED TO OBTAIN DESIRED ADJUSTMENT.
6. LOWER THE VEHICLE TO FULLY LOAD THE SUSPENSION AND MEASURE THE ALIGNMENT AGAIN TO CHECK ADJUSTMENT IS SATISFACTORY.
7. IF THE NECESSARY ALIGNMENT HAS NOT BEEN ACHIEVED, REPEAT FROM STEP 4.
8. WHEN ADJUSTMENT IS COMPLETED, TIGHTEN AND TORQUE HINGE NUT. (SEE ASSEMBLY SHEET)

CM CRS V2 INSTALLATION GUIDE		TITLE
33CRS-V2	DRAWING NUMBER	DO NOT SCALE
ALL DIMENSIONS IN MILLIMETERS UNLESS OTHERWISE STATED		
P: 007 304 3000	DRAWING JOB	
W: CRUISEMASTER.COM.AU	DATE: 21-06-18	
E: SALES@CRUISEMASTER.COM.AU	SHEET SIZE: A3	
A: 2829 BILBYN ROAD, GEORGINA, QLD 4024	PAGE: 5 of 7	

CRUISEMASTER™ IS THE REGISTERED TRADEMARK OF CRUISEMASTER AUSTRALIA PTY, LTD.