



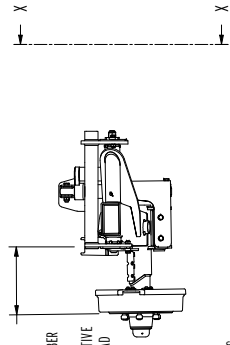
6 - ALIGNMENT

VISIT cruise-master.com.au FOR ADDITIONAL INFORMATION
SEE CRUISEMASTER CAMBER TOW IN ADJUSTER (CS-20)

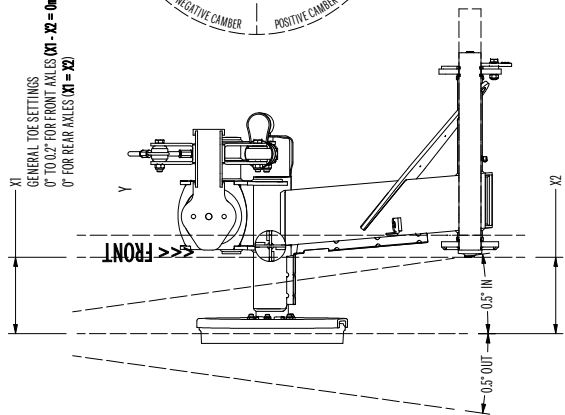
CAMBER ADJUSTMENT
THE SUSPENSION HAS A DEGREE OF POSITIVE CAMBER BUILT IN TO ENSURE THE WHEELS ARE ALIGNED CORRECTLY UNDER LOAD. WHEELS ARE RECOMMENDED TO HAVE 0° TO 0.5° NEGATIVE CAMBER AT RATED LOAD.

1" BUILT IN POSITIVE CAMBER AT RATED LOAD

0° TO 0.5° NEGATIVE CAMBER AT RATED LOAD



GENERAL TOE SETTINGS
0° TO 0.2° FOR FRONT AXLES (X1 - X2 = 0mm to 2mm)
0° FOR REAR AXLES (Y1 - Y2)



X1
X2
Y1
Y2
MEASURE DISTANCE FROM CHASSIS TO TYRE FACE USING A STRAIGHT EDGE USE DIFFERENCE TO DETERMINE TOE



WHEEL ALIGNMENT PROCEDURE

1. ENSURE THE TRAILER IS FULLY LOADED AND ON A FLAT SURFACE. MOVE THE TRAILER BACKWARDS AND FORWARDS TO ELIMINATE ANY TWIST IN THE WHEELS.

MEASUREMENT

2. PLACE A STRAIGHT EDGE ACROSS THE WHEEL, EDGE OF RIM OR DRUM FACE THEN MEASURE THE DISTANCE FROM THE STRAIGHT EDGE TO THE CHASSIS RAIL. (WHEELS ON A SINGLE OR TANDEM FRONT AXLE SHOULD BE ADJUSTED TO HAVE 2MM TOE-IN. WHEELS ON TANDEM REAR AXLES SHOULD MEASURE PARALLEL FROM THE CHASSIS RAIL.)

3. FOR CAMBER ADJUSTMENT IT IS RECOMMENDED TO USE A DIGITAL SPIRIT LEVEL TO MEASURE ACROSS THE WHEEL RIM OR DRUM FACE.

ADJUSTMENT

4. LIFT THE VEHICLE TO UNLOAD THE SUSPENSION. DO NOT CLIMB UNDER A VEHICLE WHICH IS ONLY SUPPORTED BY JACKS. ENSURE PROPER VEHICLE STANDS ARE USED.

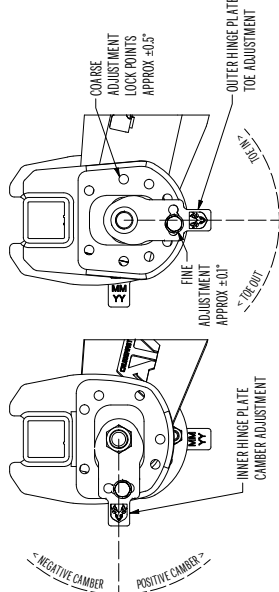
5. LOOSEN THE HINGE NUT AND REMOVE THE ADJUSTER LOCKING BOLTS.

6. TURN THE ADJUSTER IN THE DIRECTION REQUIRED AND ALIGN WITH THE NEAREST BOLT HOLES. USE BOTH COARSE AND FINE ADJUSTMENTS TO FIND THE OPTIMAL POSITION AND USE LOCKING BOLTS TO HOLD THE ADJUSTER IN PLACE.

6. LOWER THE VEHICLE TO FULLY LOAD THE SUSPENSION AND MEASURE THE ALIGNMENT AGAIN TO CHECK ADJUSTMENT IS SATISFACTORY.

7. IF THE NECESSARY ALIGNMENT HAS NOT BEEN ACHIEVED, REPEAT FROM STEP 4

8. WHEN ADJUSTMENT IS COMPLETED, TORQUE ADJUSTMENT LOCKING BOLTS AND HINGE NUT. (SEE ASSEMBLY SHEET FOR TORQUES)



CM ATX INSTALLATION GUIDE		TITLE	
33ATX	DRAWING NUMBER	DO NOT SCALE	
ALL DIMENSIONS IN MILLIMETERS UNLESS OTHERWISE STATED			
P: 071 304 3000	DRAWING JOB		
W: CRUISEMASTER.COM.AU	DATE: 25/04/2018		
E: SALES@CRUISEMASTER.COM.AU	SHEET SIZE: A3		
A: 3829 BILBYN ROAD, GEORANG, QLD 4034	PAGE: 6 of 10		