



AIR CONTROL SYSTEM

WIRELESS

WIRELESS AIR CONTROL

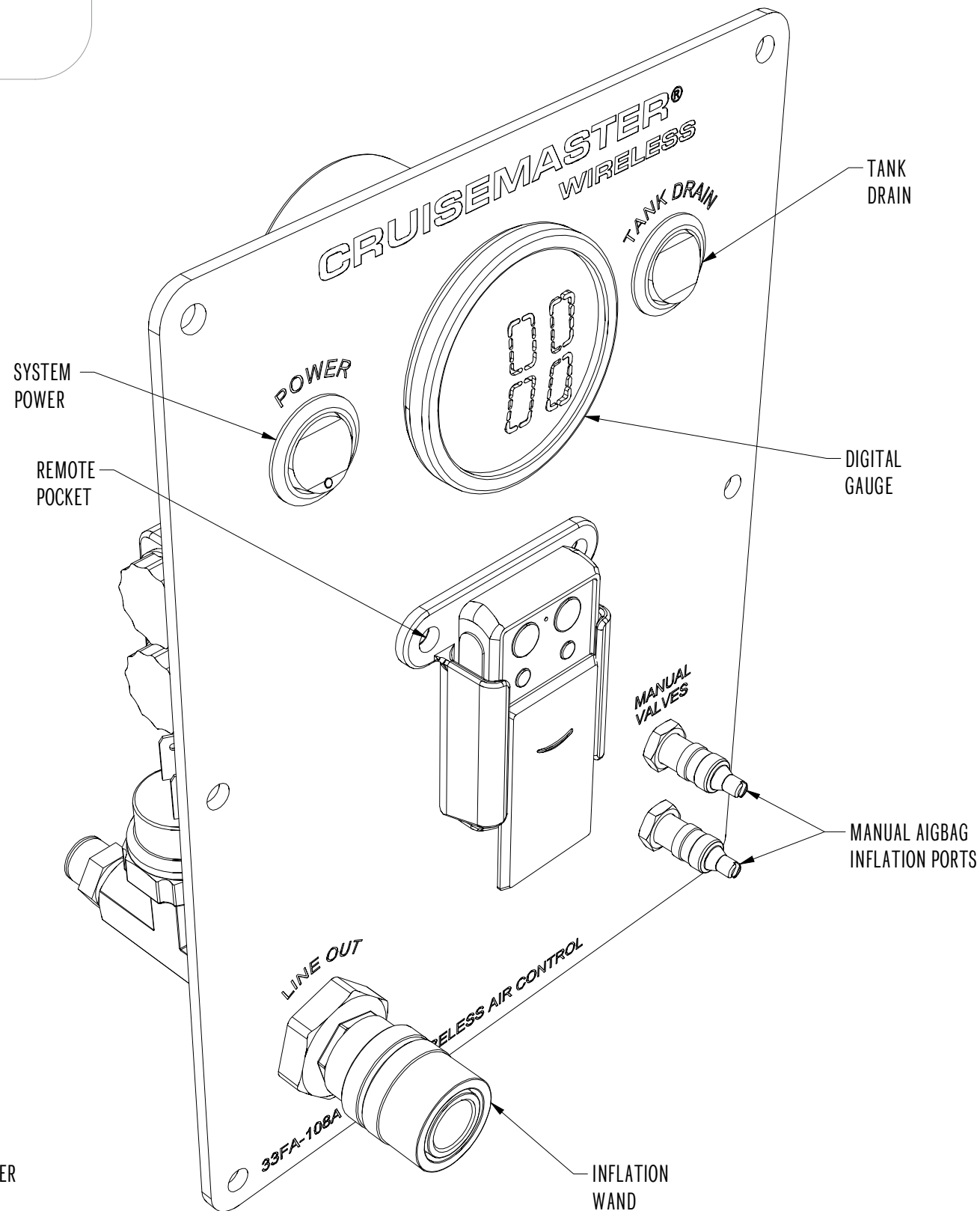
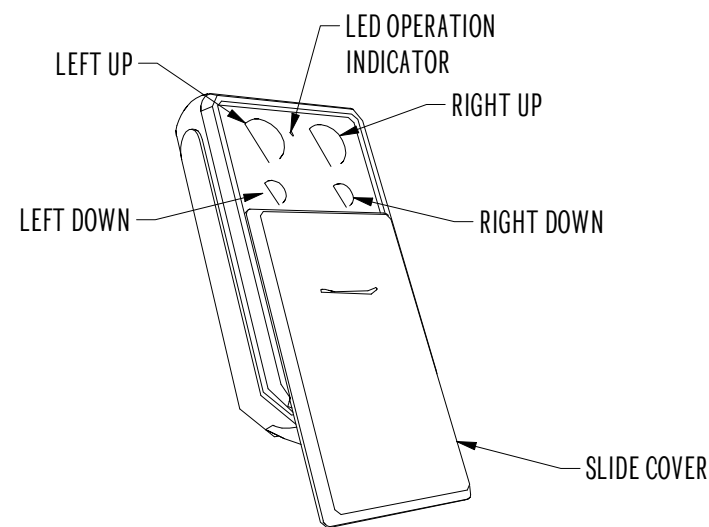
DIGITAL GAUGE

ELECTRONIC TANK DRAIN

TYRE INFLATION PORT

200 PSI COMPRESSOR

11L TANK



| DESIGNED TO BE USED WITH | |
|--------------------------|-----------------|
| CM XT | CM ATX |
| 33SA-AIRKIT-1AS | 33SA-AIRKIT-1BS |
| 33SA-AIRKIT-1AT | 33SA-AITKIT-1BT |

| L3 WIRELESS CONTROL PANEL PART LIST | | | |
|-------------------------------------|-----|----------------|---|
| ITEM | QTY | PART NUMBER | DESCRIPTION |
| 1 | 1 | AC1050 | 2 CORNER WIRELESS RECEIVER & CONTROLLER ONLY |
| 2 | 1 | AC1051 | 2 CORNER WIRELESS KEY FOB ONLY |
| 3 | 1 | AC7200D | DUAL DIGITAL GAUGE WITH ABM LOGO |
| 4 | 1 | B2519 | 33FA-108A LEVEL 3 WIRELESS AIR CONTROL PANEL |
| 5 | 1 | CC1106 | WIRELESS KEY FOB HOLDER |
| 6 | 1.3 | EF3BR | 3MM ELECTRICAL CABLE - BROWN |
| 7 | 5 | EF3T | 3MM TWIN CORE ELECTRICAL CABLE |
| 8 | 0.7 | EF3W | 3MM ELECTRICAL CABLE - WHITE |
| 9 | 0.5 | EF5B | 5MM ELECTRICAL CABLE - BLACK |
| 10 | 1 | EF6R | 6MM ELECTRICAL CABLE - RED |
| 11 | 5 | EFCJ | CABLE JOINER |
| 12 | 1 | EFR40 | 40 AMP RELAY - 12 VOLT, 4 PIN |
| 13 | 3 | EFRTM5 | RING TERMINAL 5MM RED |
| 14 | 1 | EFRTM5B | RING TERMINAL 5MM BLUE |
| 15 | 1 | EFSF48 | FEMALE SPADE TERMINAL - 4MM BLUE (4.8MM WIDTH) |
| 16 | 3 | EFSF48R | FEMALE SPADE TERMINAL - 2.5 TO 3MM RED (6.3MM WIDTH) |
| 17 | 3 | EFSF48B | FEMALE SPADE TERMINAL - 3MM RED (4.8MM WIDTH) |
| 18 | 3 | EFSFY | FEMALE SPADE TERMINAL - 5 TO 6MM YELLOW (6.3MM WIDTH) |
| 19 | 1 | ES1000 | ROCKER SWITCH - ON-OFF-ON |
| 20 | 1 | ES1200 | ROCKER SWITCH - 12V WITH LED OFF-ON |
| 21 | 2 | FAC7300 | INFLATION VALVE & CAP 1/4 PTC |
| 22 | 3 | FAC7305 | COMPRESSOR TEE FITTING 1/4 NPT |
| 23 | 1 | FAC7401 | QUICK RELEASE COUPLING - AC7401A |
| 24 | 1 | FAC7405 | 110/150 PSI PRESSURE SWITCH 1/8 NPT |
| 25 | 1 | FN1104-220 | NYLON TUBE 1/4 220MM - BLACK |
| 26 | 2 | FN1104-70 | NYLON TUBE 1/4 70MM - BLACK |
| 27 | 3 | FN1104-90 | NYLON TUBE 1/4 90MM - BLACK |
| 28 | 1 | FAC7420 | BULKHEAD CONNECTOR 1/4 X 1/4 NPT |
| 29 | 3 | FQF1503P | Y PIECE 1/4 PTC - SMC |
| 30 | 2 | FQF305 | STRAIGHT FITTING 1/4 PTC X 1/4 - COMOZZI |
| 31 | 2 | FQF505 | ELBOW FITTING 1/4 PTC X 1/4 - COMOZZI |
| 32 | 1 | FS005 | SINTERED SILENCER - 1/8 W 12MM HEX |
| 33 | 2 | FXM145N301 | M5 NYLOC NUT |
| 34 | 1 | FXM145S106 | M5 SOCKET SET SCREW X 100MM |
| 35 | 1 | FXM145S107 | M5 SOCKET SET SCREW X 80MM |
| 36 | 5 | FXM14XW101 | M5 FLAT WASHER |
| 37 | 1 | VSAS1500 | 2 CORNER ELECTRIC SOLENOID VALVE - 1/4 NPT |
| 38 | 1 | YABM12 | 3KG PLAIN CARTON - BROWN 240X240X200 |
| 39 | 1 | 33SA-AIRFIT-10 | CHECK VALVE KIT |

| REV | DESCRIPTION | ECN | NAME | DATE |
|-----|---|------|------|------------|
| 4 | Steel air tank swapped to aluminium | 1803 | JT | 21/01/2020 |
| 3 | Added 33SA-AIRFIT-10 | 1629 | AB | 14/02/18 |
| 2 | Added control system part list, added 10m roll air line | 1556 | AJ | 18/01/17 |
| 1 | Release for production | 1497 | AJ | 9/07/16 |

L3W WIRELESS CONTROL PANEL TITLE

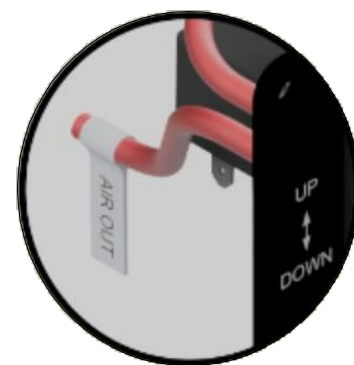
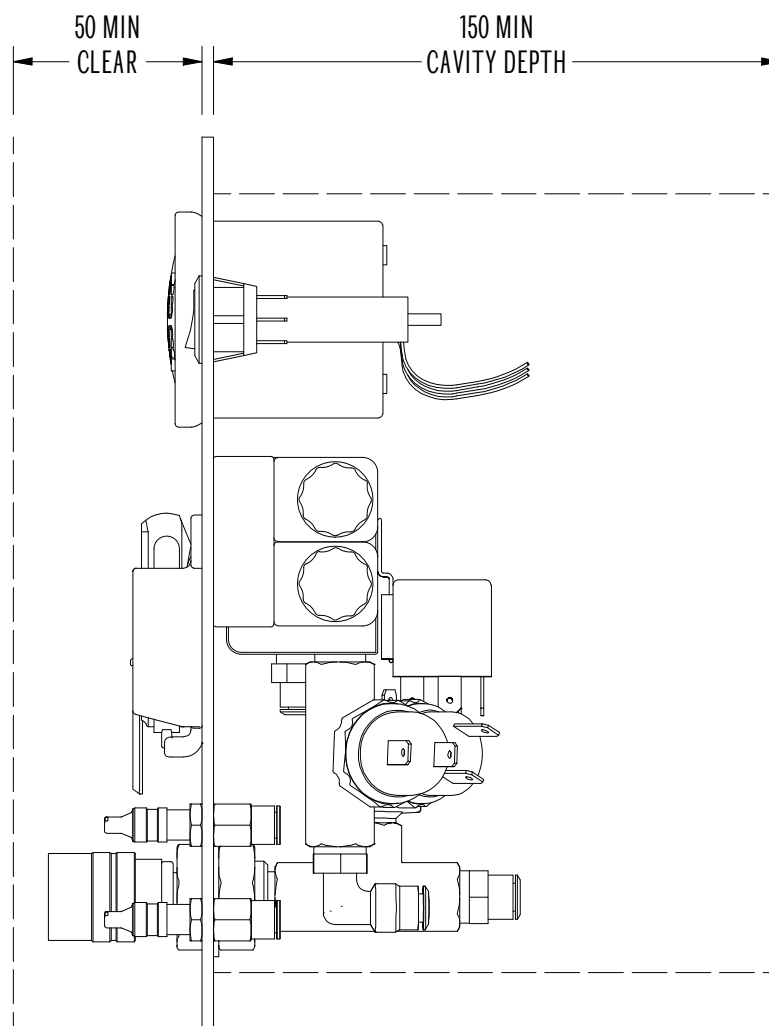
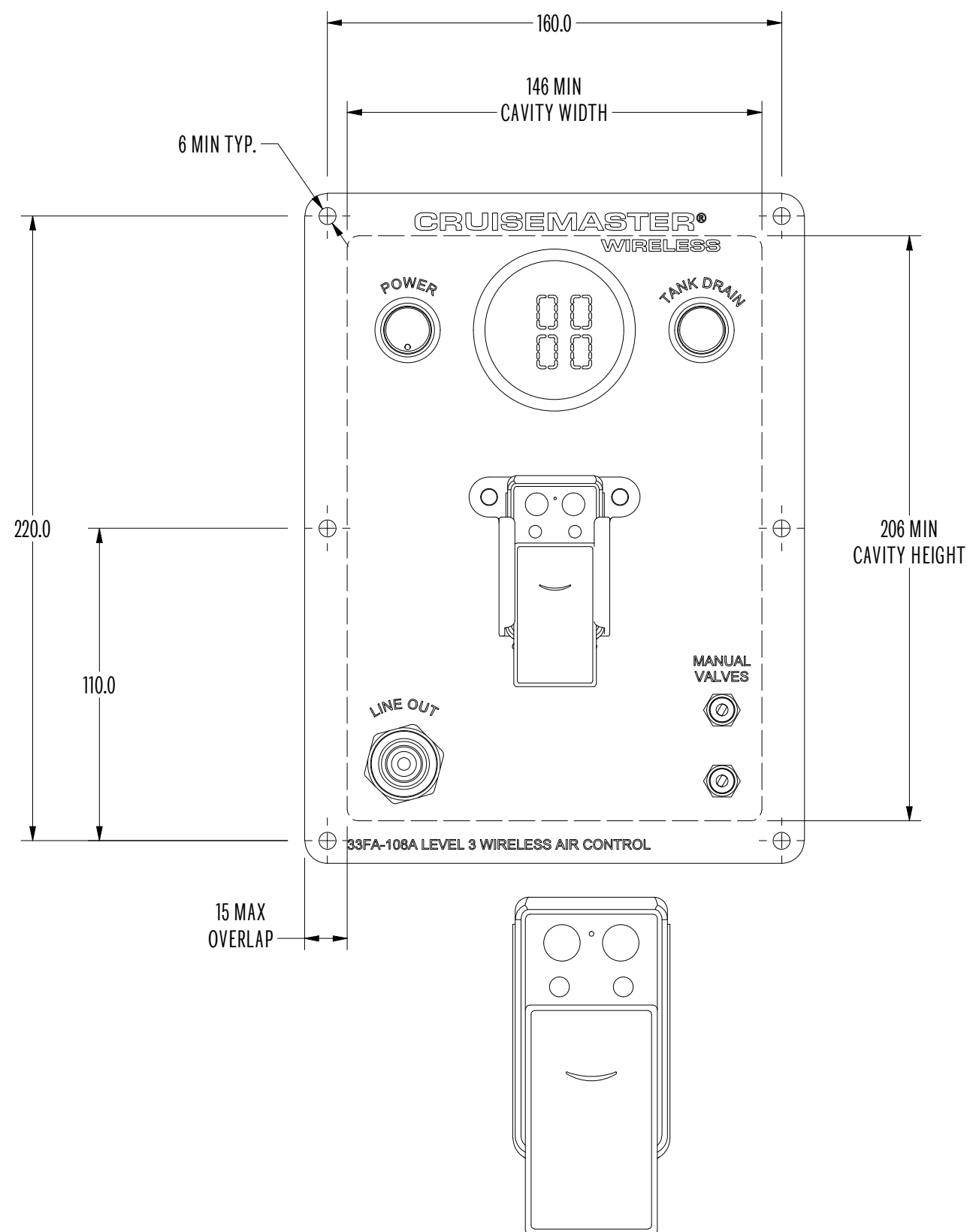
33FA-108A PART NUMBER

MATERIAL: FINISH:

ALL DIMENSIONS IN MILLIMETERS UNLESS OTHERWISE STATED
DO NOT SCALE MASS: 1.040 kg PAGE: 1 of 3 DRAWN: AB
SUPPLIER CODE: VOLUME: 597398.3 mm³ SHEET SIZE: A3 CHECKED: DVD APPROVED: DVD DATE: 28/11/2018

| UNLESS OTHERWISE STATED | |
|-------------------------|--------|
| DIM | TOL |
| 0 | ± 0.5 |
| 0.0 | ± 0.2 |
| 0.00 | ± 0.05 |
| MACHINED 3.2 | |

GEN SHORE HARDNESS TOL ± 3 REMOVE SHARP EDGES



FOLLOW LINE LABELING TO CONNECT THE AIR LINES AND ELECTRICAL WIRING CORRECTLY

GENERAL INSTRUCTIONS

- It is recommended that only a properly qualified person installs the product and carries out maintenance. If you are not qualified and attempt to carry out such work ensure that all safety equipment is used and safety standards are met.
- Ensure that you have read the full Product Manual before attempting to fit the product.
- Ensure the Product Manual is kept with the vehicle and that any vehicle owner and/or operator are fully advised on the system and its operation before attempting to operate it.
- DO NOT connect any electrical components to the vehicle without preparing the electrical system as per the vehicle manufacturer's instructions. Connecting without preparing the vehicle could lead to component failure, vehicle damage or fire.
- If you use a sharp utility knife or razor blade great care must be taken in all cases not to cut yourself during this operation.
- The gauge is NOT weatherproof and is best mounted inside the vehicle.
- The switches should be mounted in a protected area to minimise the effect of moisture and dirt E.g. in or under a tray, in tool box or canopy.
- Air compressors get hot - avoid any flammable liquid or burn risk areas.
- The air tank is rated to a maximum working pressure of 150 psi (10 bar) and this is never to be exceeded.
- Incorrect use of this product can result in damage to the components associated parts and/or the vehicle, which is not covered under warranty.
- Ensure suspension airbags are maintained at the stated ride height at all times and maintain the minimum pressure required and never exceed the maximum, as required by the particular airbag product.

L3W WIRELESS CONTROL PANEL

33FA-108A

TITLE

PART NUMBER

MATERIAL:

FINISH:

ALL DIMENSIONS IN MILLIMETERS UNLESS OTHERWISE STATED

DO NOT SCALE

SUPPLIER CODE:

MASS: 1.040 kg

VOLUME: 597398.3 mm³

PAGE: 2 of 3

SHEET SIZE: A3

DRAWN: AB
CHECKED: DVD
APPROVED: DVD
DATE: 28/11/2018

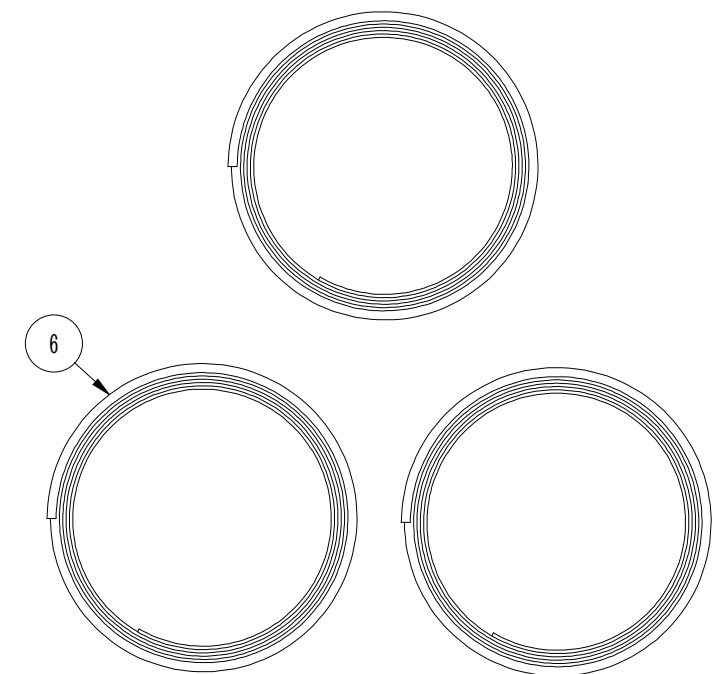
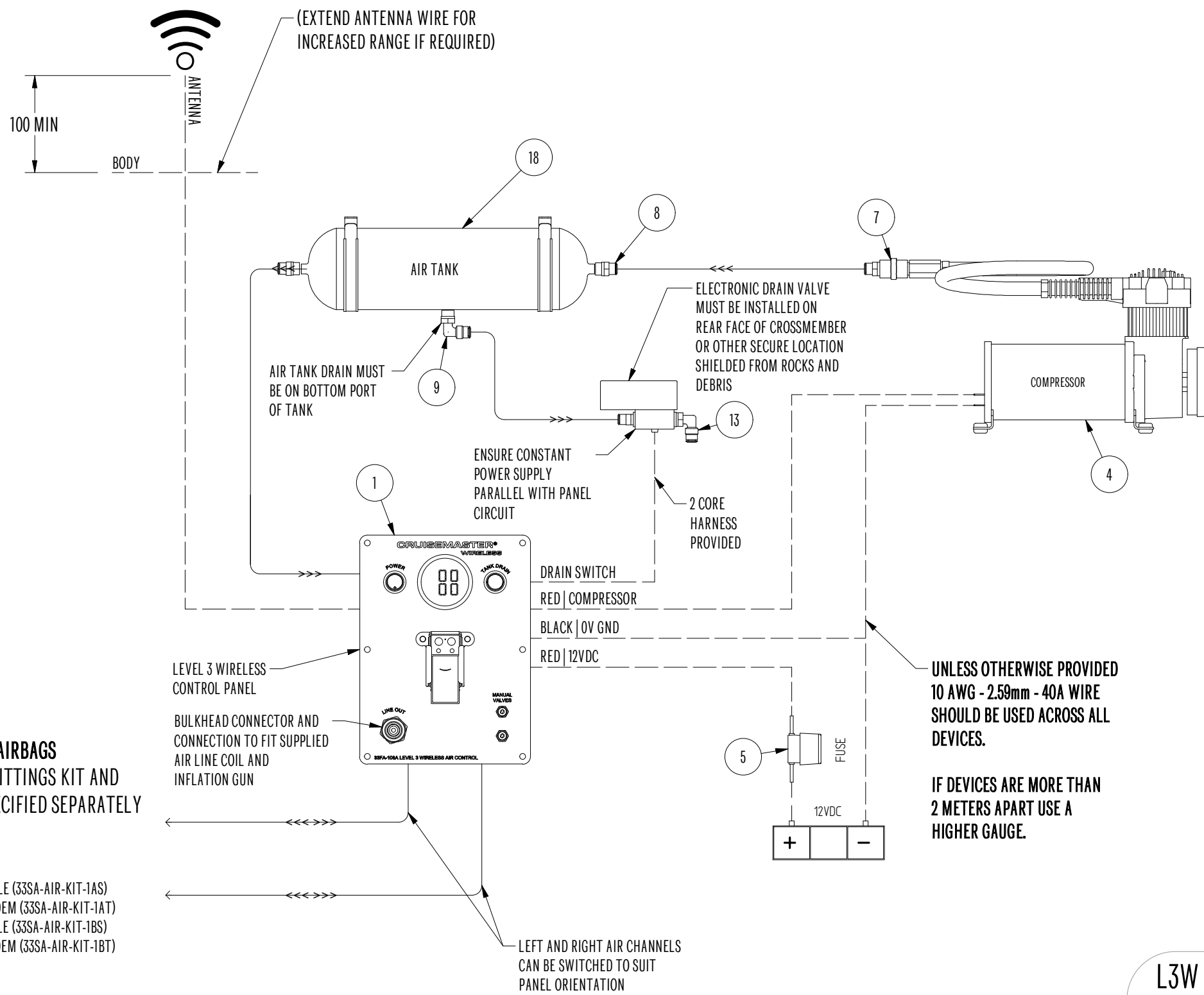
| UNLESS OTHERWISE STATED | |
|-------------------------|--------|
| DIM | TOL |
| 0 | ± 0.5 |
| 0.0 | ± 0.2 |
| 0.00 | ± 0.05 |
| MACHINED | 3.2/ |

GEN SHORE HARDNESS TOL ± 3
REMOVE SHARP EDGES





CIRCUIT DIAGRAM



| KIT CONTENTS | | | |
|--------------|-----|--------------|------------------------------------|
| ITEM | QTY | PART NUMBER | DESCRIPTION |
| 1 | 1 | PKVCL3WPANEL | PKVCL3WACK PANEL ASSEMBLY ONLY |
| 2 | 1 | AC7401A | AIRBAG MAN INFLATION COIL & WAND |
| 3 | 1 | AC7401ACA | INFLATION COIL ASSEMBLY ONLY - 22' |
| 4 | 1 | AC8110 | 12V AIRBAG MAN COMPRESSOR |
| 5 | 1 | EFHW40 | FUSE HOLDER WITH 40A FUSE |
| 6 | 3 | FN1104-10 | NYLON TUBE 1/4" 10M - BLACK |
| 7 | 1 | FN2602 | HEX SOCKET 1/4" NPT FEMALE |
| 8 | 3 | FQF305 | STRAIGHT FITTING 1/4" PTC X 1/4" |
| 9 | 1 | FQF505 | ELBOW FITTING 1/4" PTC X 1/4" |
| 10 | 4 | FX1040B102 | 3/8 UNC HEX BOLT X 1" GR5 |
| 11 | 4 | FX1040N201 | 3/8 UNC NYLON NUT |
| 12 | 4 | FX104XW102 | 3/8 FLAT WASHER 7/8 OD |
| 13 | 1 | PKTDCK | TANK DRAIN COMPONENTS KIT |
| 14 | 1 | WCOMP | COMPONENT LIST |
| 15 | 1 | YABM5 | EXTRA LARGE ABM LID - BROWN |
| 16 | 1 | YABM6 | EXTRA LARGE ABM BASE - BROWN |
| 17 | 1 | ZBAGPLAIN | PLAIN POLY BAG |
| 18 | 1 | AC9013 | ALUMINIUM AIR TANK 3G-11L |

AIRBAGS
LEVEL 1 FITTINGS KIT AND AIRBAGS SPECIFIED SEPARATELY

LEVEL 1 KITS

- TYPE A SINGLE (33SA-AIR-KIT-1AS)
- TYPE A TANDEM (33SA-AIR-KIT-1AT)
- TYPE B SINGLE (33SA-AIR-KIT-1BS)
- TYPE B TANDEM (33SA-AIR-KIT-1BT)

| | | |
|---|-------------|----------------------------|
| L3W WIRELESS CONTROL PANEL | | TITLE |
| 33FA-108A | | PART NUMBER |
| MATERIAL: | FINISH: | |
| ALL DIMENSIONS IN MILLIMETERS UNLESS OTHERWISE STATED | | |
| DO NOT SCALE | MASS: N/A | PAGE: 3 of 3 |
| SUPPLIER CODE: | VOLUME: N/A | SHEET SIZE: A3 |
| DRAWN: AB | | CHECKED: DVD |
| APPROVED: DVD | | DATE: 28/11/2018 |
| UNLESS OTHERWISE STATED | | GEN SHORE HARDNESS TOL ± 3 |
| DIM | | TOL |
| 0 ± 0.5 | | |
| 0.0 ± 0.2 | | |
| 0.00 ± 0.05 | | |
| MACHINED | | 3.2 |
| REMOVE SHARP EDGES | | |