

INSTALLATION AND OPERATION MANUAL



Intertek

NAUTILUS ON DEMAND WATER HEATER (IW60) DIRECT VENT GAS *with* DIRECT SPARK IGNITION

FOR INSTALLATION IN RECREATIONAL VEHICLES

▲ WARNING

Failure to follow safety warning exactly could result in serious injury, death or property damage.

- Do not store or use gasoline or other flammable vapors and liquids in the vicinity of this or any other appliance.
- WHAT TO DO IF YOU SMELL GAS
 - Evacuate all persons from the vehicle.
 - Shut off the gas supply at the gas container or source.
 - Do not touch any electrical switch, or use any phone or radio in the vehicle.
 - Do not start the vehicle's engine or electric generator.
 - Contact the nearest gas supplier or qualified service technician for repairs.
 - If you cannot reach a gas supplier or qualified service technician, contact the nearest fire department.
 - Do not turn on the gas supply until the gas leak(s) has been repaired.
- Installation and service must be performed by a qualified installer, service agency or the gas supplier.

▲ FREEZE WARNING

Drain or fill with RV approved antifreeze if subject to freezing temperatures when storing for winter.

▲ WARNING

Installation of this appliance must be made in accordance with the written instructions provided in this manual. No agent, representative or employee of Suburban or other person has the authority to change, modify or waive any provision of the instructions contained in this manual.

Improper adjustment, alteration, service, maintenance or installation can cause serious injury or death.

Read and follow all instructions and precautions in this manual. Installation and service must be performed by a qualified service agency or the gas supplier.

AN ODORANT IS ADDED TO THE GAS USED BY THIS WATER HEATER.

INSTALLER: AFFIX THESE INSTRUCTIONS TO OR ADJACENT TO WATER HEATER.

OWNER: RETAIN THESE INSTRUCTIONS AND WARRANTY FOR FUTURE REFERENCE.

ALL TECHNICAL AND WARRANTY QUESTIONS SHOULD BE DIRECTED TO THE COMPANY LISTED ON THE WARRANTY OR RATING PLATE WHICH CAME WITH YOUR WATER HEATER.



AIRXCEL, INC. - SUBURBAN DIVISION
676 Broadway Street • Dayton, Tennessee 37321
423-775-2131 • www.Airxcel.com

▲ SAFETY WARNING

Should overheating occur, or the gas supply fail to shut off, shut off the manual gas valve to the appliance before shutting off the electrical supply.

Do not use this appliance if any part has been submerged under water. Immediately call a qualified service technician to inspect the appliance and to replace any part of the control system and any gas control that has been submerged under water.

Do not alter the operation of your water heater nor change the design/construction of your water heater. Accessories are being marketed for RV products which we do not recommend. For your safety, only factory authorized parts are to be used on your water heater.

Periodically inspect the vent for obstructions or presence of soot. Soot is formed whenever combustion is incomplete. This is your visual warning that the water heater is operating in an unsafe manner. If soot is present, immediately shut the water heater down and contact your dealer or a qualified service person.

When considering add-on rooms, porch or patio, attention must be given to the venting of your water heater. For your safety, do not terminate the vent on your water heater inside add-on rooms, screen porch or onto patios. Doing so will result in products of combustion being vented into the rooms or occupied areas.

Never operate the appliance if you smell gas. Do not assume that the smell of gas in your RV is normal. Any time you detect the odor of gas, it is to be considered life threatening and corrected immediately. Extinguish any open flames including cigarettes and evacuate all persons from the vehicle. Shut off gas supply at LP gas bottle. (See Safety notice on front cover of this manual.)

▲ WARNING

Do not store or use combustible materials or liquids near or adjacent to this heater. The appliance shall not be installed in any location where flammable liquids or vapors are likely to be present.

▲ WARNING

Be sure the power is "OFF" to the water heater ignition system during any type of refueling and while vehicle is in motion or being towed.

The thermostat on your water heater is adjustable. It is a temperature sensing limit designed to maintain a water temperature of 120°F (48°C) from the factory. (See Operating Instructions) Water temperatures over 125°F (52°C) can cause severe burns instantly or death from scalds; therefore, be careful when using hot water. Children, disabled and elderly are at highest risk of being scalded. Always feel water before bathing or showering.

INSTALLATION REQUIREMENTS

▲ WARNING

Installation of this appliance must be made in accordance with the written instructions provided in this manual. No agent, representative or employee of Suburban or other person has the authority to change, modify or waive any provision of the instructions contained in this manual.

▲ CAUTION

A Suburban vent cap must be installed on the unit and all side inspection panels must be in place for proper water heater operation.

If possible, do not install the water heater to where the vent can be covered or obstructed when any door on the trailer is opened. If this is not possible, then the travel of the door must be restricted in order to provide a 6" minimum clearance between the water heater vent and any door whenever the door is opened.

Due to the differences in vinyl siding, this appliance should not be installed on vinyl siding without first consulting with the manufacturer of the siding or cutting the siding away from the area around the appliance vent.

In any installation in which the vent of this appliance can be covered due to the construction of the RV or some special feature of the RV such as slide out, pop-up etc., always insure that the appliance cannot be operated by setting the thermostat to the positive "OFF" position and shutting off all electrical and gas supply to the appliance.

Do not install this appliance to where the vent terminates below a slide-out. This appliance is not to be installed under any overhang. It must be free and clear of any type overhang.

This installation must conform with the requirements of the authority having jurisdiction or in the absence of such requirements with the latest edition of the National Fuel Gas Code ANSI Z223.1/NFPA 54; and the latest edition of the American National Standard for Recreational Vehicles NFPA 1192.

In Canada, the installation should conform with the following standards:

A. For installation in Recreational Vehicle

1. Gas - CSA standard CSA Z240.4.2-08 Installation Requirements for Propane Appliances and Equipment in Recreations Vehicles.
 2. Electrical - CSA standard C22.2 No. 148/Z240.6.2-08/C22.2 No. 148-08 Electrical Requirements for Recreational Vehicles.
 3. Plumbing - CSA standard CSA Z240.3.2 Plumbing Requirements for Recreational Vehicles.
- B.** The appliance shall be disconnected from the gas supply piping system during any pressure testing of the system.
- C.** The appliance and its gas connections shall be leak tested before placing the appliance in operation.
- D.** All air for combustion must be supplied from outside the structure. Air for combustion must not be supplied from occupied spaces.
- E.** Minimum clearance from combustible construction on sides and top - 1/4 inches. Provide room for access to rear of heater and at left side for servicing.
- F.** Choose a location for installation out of the way of wires, pipes, etc. that might interfere with the installation.
- G.** When an appliance is installed directly on carpeting, tile or other combustible material, other than wood flooring, the appliance shall be installed on a metal or wood panel the full depth of the appliance. If preferred the carpeting, tile or combustibles materials, other than wood may be cut away the full length of the appliance plus the appliance minimum clearances to combustibles.
- H.** Good grounding of the unit is recommended to mitigate static charge built up by attaching a 12 gage ground wire to the unit case at the green grounding screw shown in **Figure 5** and securely fasten the ground wire to the RV metal frame.
- I.** Do not install the water heater with the vent facing toward the forward end of the coach. See **Figures 1, 2 and 3**.
- J.** There must be access for removing unit for service.

INSTALLATION WITHOUT REPLACEMENT PANEL

1. Locate area for installation of the unit. The unit should be installed as close to wall as possible. Mark wall as shown in **Figure 4** and cut a 3.750" Diameter hole for vent installation. On mesa or yoder type side walls, it may be required to flatten area where vent is to be installed to assure seal around vent assembly.
2. Place unit on floor (verify vent cap lines up with exhaust tube and combustion air opening in unit).
 - a. Drain lines must be connected to the system and condensation drains on the On Demand water heater and ran to the outside of the RV. Drain Lines should be as short as possible and must maintain a drop of 1/4" per foot from unit. See **Figure 5**.
3. Install vent assembly. See **Figure 6**.
 - a. Vent cap must be ordered separately. See **TABLE 1** for vent sizes and part numbers. A minimum overlap of 1.25" is required on exhaust.
 - b. Apply a bead of silicone around the vent cap as shown in **Figure 6**.
 - c. Install vent cap as shown in **Figure 6** with screws. Insure assembly is sealed to outside wall to prevent leaks.
4. Screw the front of the unit to the floor using the two brackets as shown in **Figure 5**. If necessary, the brackets can be moved to the rear of the unit as shown in **Figure 7B**.
5. Make gas, water and electrical connections following instructions contained in this manual supplied with the Suburban NAUTILUS (IW60) On Demand Water Heater.

INSTALLATION USING REPLACEMENT PANEL

A replacement panel is used when replacing Suburban 6, 10, 12, and 16 gallon tank units and Atwood Style 6 and 10 gallon tank units.

1. On mesa or yoder type sidewalls, flatten the wall area around the opening.
2. Apply a continuous line of suitable caulk on the RV wall around all four sides of the opening and around back side of replacement panel frame as shown in **Figure 8**. Required to create water tight seal of the frame to the RV wall.
3. Center and insert caulked replacement panel frame into opening. Push frame firmly against RV wall over caulking previously applied in step 2. Secure frame with the eight (8) supplied screws into RV wall as shown in **Figure 8**.
4. Locate the water heater cabinet approximately even with the inside RV wall. See **Figure 7B**. If securing the unit to the floor using the FRONT mounting brackets, proceed to STEP 5. To mount the water heater using the REAR mounting method, remove the two mounting brackets from the front of the unit and secure them to the threaded holes at the rear of the unit. Screw the rear of the unit to the floor using the two brackets. See **Figure 7B**.
5. Using the gasket supplied with the kit, apply the gasket beginning at the center bottom of the replacement panel frame. Adhere the adhesive side of the gasket to the replacement panel frame and install the gasket all the way around the frame. Insure the ends of the gasket meet at the center bottom of the access panel frame.
6. Attach the replacement panel to the frame as shown in **Figure 8** using the five (5) screws provided.
7. Vent cap must be ordered separately. See **Table 1** for vent sizes and part numbers. There must be a minimum of 1.25" (31.8mm) overlap of vent assembly tube over exhaust tube on the On Demand Water Heater and the replacement panel must compress the replacement panel gasket. See **Figure 7A**.
 - a. Apply a bead of silicone around the vent cap as shown in **Figure 8**.
 - b. Install vent cap as shown in **Figure 8** with four (4) screws. Insure assembly is sealed to outside wall to prevent leaks.
8. Screw the front of the unit to the floor using the two brackets as shown in **Figure 5**.
9. Apply silicone caulk around the beveled edges of the replacement panel as shown in **Figure 8**. Do not caulk the bottom of the replacement panel.
10. Make gas, water and electrical connections following instructions contained in this manual supplied with the Suburban Nautilus IW60 On Demand Water Heater.

11. Drain lines must be connected to the system and condensation drains on the On Demand Water Heater and ran to the outside of the RV. Drain Lines should be as short as possible and must maintain a minimum drop of 1/4" per foot. (6.4mm per 305mm) from unit. See **Figure 5**.

ACCESS PANEL PART NUMBERS		
BRAND	CAPACITIES	PART NUMBER
SUBURBAN	6 GALLON	6276APW (Polar White)
SUBURBAN	10, 12, 16 GALLONS	6277APW (Polar White)
ATWOOD	6 GALLON	521147 (Polar White)
ATWOOD	10 GALLON	521150 (Polar White)

VENT CAP PART NUMBER	VENT CAP LENGTH	"X" MAX DIMENSION
260616	0 - 1 inches	1.171 inch
260617	1 - 2 inches	2.171 inch
260618	2 - 3 inches	3.171 inch
260638	5 - 6 inches	6.171 inch

TABLE 1

**MAKING ELECTRICAL CONNECTIONS
12 VOLTS D.C.**

- A.** The electrical connections must be made in accordance with local codes and regulations. In the absence of local codes and regulations, refer to the latest edition of the National Electrical Code NFPA 70.

In Canada, the electrical installation should conform with CSA standard Z240.6.2-08/C22.2 No. 148-08 Electrical Requirements for Recreational Vehicles.

- B.** Make the 12 Volt D.C. electrical connections following the wiring diagram illustrated in **Figure 11**.

If the power supply is to be from a convertor, we recommend that the converter system be wired in parallel with the battery. This will serve two purposes:

1. Provide a constant voltage supply
2. Filter any A.C. spikes or volt surges

We recommend insulated terminals be used for all electrical connections.

**INSTALLATION OF SWITCH AND LIGHT
ASSEMBLY (SEE FIGURE 12)**

1. ON/OFF switch is wired as shown in wiring diagram. See **Figure 11**.
2. There is a connection for a lockout light. (If used, this light will come on if the unit goes into lockout. Water must be turned off and back on to re-cycle the unit.)
3. Connect ORANGE wire to LED lamp (+) and BLUE wire to LED lamp (-).

**INSTALLATION OF OPTIONAL ON DEMAND
CONTROL CENTER (SEE FIGURE 13)**

⚠ WARNING
Do not use on circuits exceeding specified voltage. Higher voltage will damage control center and could cause shock or fire hazard. Do not short out terminals on gas valve or primary control to test. Short or incorrect wiring will damage thermostat and could cause personal injury and/or property damage.

1. On Demand Control Center is wired as shown in wiring diagram. See **Figure 11**.
2. Locate the On Demand CONTROL CENTER on a wall surface adjacent to the On Demand water heater.
3. Remove back cover from control center by depressing latch at bottom.
4. Remove center knockout from back cover. Drill hole for wiring from control center. See **Figure 14**.
5. Mount back cover to the wall.
6. Route wiring through back cover and hole into wall.
7. Connect the two white wires from the On Demand Control Center to the two white wires from the On Demand water heater. See **Figure 11**.

The optional On Demand CONTROL CENTER displays the water temperature and also allows outlet water temperature to be adjusted (130°F maximum).

ON DEMAND CONTROL CENTER	PART NUMBER
BLACK	161253
WHITE	161252

MAKING DRAIN CONNECTIONS

- A.** Drain connections are made at the front of the water heater. Refer to **Figure 5**. Connect 5/8" ID hose to system drain fitting provided on front of unit. Connect 1/2" ID hose to condensation drain fitting provided on front of unit.
- B.** Drain lines must run to the outside of the RV. Drain lines should be as short as possible and must maintain a minimum drop of 1/4" per foot. (6.4mm per 305mm). See **Figure 5**.

MAKING WATER CONNECTIONS

- A.** Water connections are made at the front of the water heater. Refer to **Figure 5**. Connect the hot and cold water lines to the 1/2" NPT female pipe fitting provided on front of unit. These fittings are marked "HOT" and "COLD".

IMPORTANT: Use a pipe thread compound suitable for potable water or pipe thread tape on all connections to assure they will not leak.

- B. For ease of removal, it is suggested that a pipe union be installed in each water line.
- C. Fill system with water. Open both hot and cold water faucets to expel air from system. When system is filled and water flows from faucets, close both faucets and check all connections for leaks.

⚠ CAUTION

If you use air pressure to check for leaks, the pressure must not exceed 30 PSI in accordance with NFPA 1192.

NOTE: After leak testing, drain water from system. See Figure 10. Please refer to the DRAINING AND STORAGE INSTRUCTIONS in this manual for draining water from the system.

MAKING GAS CONNECTIONS

- A. Connect a 3/8" gas supply line to the 3/8" flare fitting at gas valve. When making the gas connection, hold the gas fitting on the valve with a wrench when tightening the flare nut. Failure to hold fitting securely could result in a gas leak due to fitting being damaged.
- B. Turn on gas and check all fittings and connections for leaks using a soap and water solution. Correct even the slightest leak immediately.

NOTE: When replacing your water heater with an NAUTILUS (IW60) On Demand water heater, review your gas regulator to ensure it can maintain a proper gas flow during the operation of the On Demand water heater and other gas burning appliances.

NOTE: Regulator switch over pressure may be lower than main operating pressure.

Maximum Capacity of Pipe in Cubic Feet of Gas per Hour for Gas Pressures of 0.5 PSIG or Less and a Pressure Drop of 0.3 Inch Water Column

INTENDED USE: Tubing sizing between single or second-stage (low pressure) regulator and appliance.					
Nominal:	K & L:	1/4	3/8	1/2	5/8
Nominal:	ACR:	3/8	1/2	5/8	3/4
Outside Diameter:		0.375	0.500	0.625	0.750
Inside Diameter:*		0.305	0.402	0.527	0.652
Length (feet)	Capacity in Thousands of BTU per Hour				
10	45	93	188	329	
20	31	64	129	226	
30	25	51	104	182	
40	21	44	89	155	
50	19	39	79	138	

*Table capacities are based on TYPE K copper tubing I.D.

⚠ WARNING

Do not use an open flame to check for leaks!

OPERATING SAFETY INFORMATION FOR YOUR SAFETY READ BEFORE LIGHTING

⚠ WARNING

If the user of this appliance fails to maintain it in the condition in which it was shipped from the factory or if the appliance is not used solely for its intended purpose or if appliance is not maintained in accordance with the instructions in this manual, then the risk of a fire and/or the production of carbon monoxide exists which can cause personal injury, property damage or loss of life.

If you do not follow these instructions exactly, a fire or explosion may result causing property damage, personal injury or loss of life.

- A. This appliance does not have a pilot. It is equipped with an ignition device which automatically lights the burner. Do not try to light the burner by hand.
- B. **BEFORE OPERATING**, smell all around the appliance area for gas. Be sure to smell next to the floor because some gas is heavier than air and will settle on the floor.
 - Evacuate all persons from the vehicle.
 - Shut off the gas supply at the gas container or source.
 - Do not touch any electrical switch, or use any phone or radio in the vehicle.
 - Do not start the vehicle's engine or electric generator.
 - Contact the nearest gas supplier or qualified service technician for repairs.

- If you cannot reach a gas supplier or qualified service technician, contact the nearest fire department.
 - Do not turn on the gas supply until the gas leak(s) has been repaired.
- C. This unit has an automatic gas valve, no adjustments are necessary. Do not attempt to repair the gas valve. This may result in a fire or explosion.
 - D. Do not use this appliance if any part has been under water. Immediately call a qualified service technician to inspect the appliance and to replace any part of the control system and any gas control which has been under water.
 - E. Before operating water heater, check the location of the vent to make sure it will not be blocked by the opening of any door on the trailer. If it can be blocked, do not operate the water heater with the door open.

OPERATING INSTRUCTIONS WITH SWITCH AND LIGHT ASSEMBLY

1. **STOP!** Read the safety information above.
2. Turn off all electric power to the appliance.
3. Turn "OFF" gas supply.
4. Wait five minutes for gas to clear the area. If you smell gas then STOP! Follow instructions in item B of the **OPERATING SAFETY INFORMATION**. If you do not smell gas, go to next step.
5. Turn "ON" gas supply.
6. Turn on electrical power to the appliance.
7. Turn switch that operates the water heater to "ON" position. The switch is illustrated in Figure 12. Your Switch may be different in appearance and is located somewhere inside the RV. The water heater operates based off of "flow." There must be a hot water faucet OPEN to a minimum of 0.5 GPM for the unit to operate. If the burner does not light, the system will automatically attempt two more tries for ignition before lock-out. When light remains illuminated, the system is in lockout.
8. If lockout occurs, unit must be re-cycled by turning the faucet OFF or turning the switch OFF and then back ON. The first start-up of the heater may require several ignition cycles before all air is purged from the gas lines.

This On Demand Water Heater is factory set at 49°C/120°F. To change the water temperature settings, you will need to access the front of the water heater.

1. Remove the SERVICE PANEL as shown in Figure 9.
2. Locate the set of four (4) dip switches located on the module board and refer to Figure 12 for information on setting dip switches to desired temperature setting.

⚠ WARNING

Dip switches numbered 1 and 2 are not to be moved from factory setting.

OPERATING INSTRUCTIONS WITH OPTIONAL ON DEMAND CONTROL CENTER

1. **STOP!** Read the safety information above.
2. Turn off all electric power to the appliance.
3. Turn "OFF" gas supply.
4. Wait five minutes for gas to clear the area. If you smell gas then STOP! Follow instructions in item B of the **SAFETY INFORMATION**. If you do not smell gas, go to next step.
5. Turn "ON" gas supply.
6. Turn on electrical power to the appliance.
7. PRESS THE "ON" button. The On Demand CONTROL CENTER is illustrated in Figure 13. Your On Demand CONTROL CENTER is located somewhere inside the RV. The water heater operates based off of "flow." There must be a hot water faucet OPEN to a minimum of 0.5 GPM for the unit to operate. If the burner does not light, the system will automatically attempt two more tries for ignition before lock-out.
8. If lockout occurs, and ERROR CODE will be displayed on the On Demand CONTROL CENTER and the unit must be re-cycled by turning the faucet OFF or by pressing the OFF button on the On Demand Control Center and then back ON. The first start-up of the heater may require several ignition cycles before all air is purged from the gas lines.

This On Demand Water Heater is factory set at 49°C/120°F. To change the water temperature settings:

1. Press the UP or DOWN arrows on the On Demand CONTROL CENTER to increase or decrease the SET water temperature in single degree increments. The water temperature set range is 35°C/95°F to 54°C/130°F. See Figure 13.

SEQUENCE OF OPERATION

The following Sequence of Operation will be the same when using either the ON/OFF SWITCH or the optional On Demand CONTROL CENTER.

1. Turning on a hot water faucet activates the On Demand Water Heater.
2. The water heater senses the flow of water.
3. The water heater proves that the combustion air fan is working.
4. The combustion chamber is then purged of any remaining raw gas.
5. The burner will ignite and prove the flame.
 - a. The approximate time from turning on the faucet to ignition is 7 seconds. After the initial lighting sequence and the water heater is maintaining temperature, the ignition cycle is reduced to approximately 5 seconds.
 - b. Burners will stay ON until the water flow is shut off.
6. The flow of hot water at the SET point begins approximately 3 seconds after ignition but will not reach the faucet until the hot water lines leading to the faucet are cleared of any remaining water. This time is determined by the length of the hot water line.
7. When the hot water faucet is turned OFF, the water heater shuts down and will remain in a ready state until hot water is called for again.

NOTE: Blower motor will operate for approximately 20 seconds after the hot water faucet is turned OFF.

8. If the ON/OFF SWITCH or On Demand CONTROL CENTER are left in the ON position, no further action is required by the user.
9. If the water heater fails to light for any reason, a second Trial For Ignition(TFI) will automatically begin. If the second Trial For Ignition(TFI) fails, the water heater will automatically begin a third Trial For Ignition(TFI). If the third Trial For Ignition(TFI) fails, the water heater will go into a lock out mode and will not try to light the burner again. To reset:
 - a. Using ON/OFF SWITCH: Turn Switch OFF then back ON.
 - b. Using the On Demand CONTROL CENTER: Turn faucet OFF, then back on.

NOTE: The NAUTILUS (IW60) On Demand WATER HEATER has an energy mode circuit that will shut down operation if operating continuously for three (3) hours. To reset, follow the instruction in STEP 9 A or B above.

NOTE: Air in the gas line after changing propane tanks is the main reason for not lighting the burner. A simple method to remove air from the gas line is to ignite a burner on the installed cooking appliance inside your RV.

OPERATING FAUCETS AND SHOWER WITH THE NAUTILUS (IW60) ON DEMAND WATER HEATER

- A. All faucets must be operated the same as you would in your home.
- B. Unit thermostat is set at 120°F at the factory. Cold water must be added to achieve the desired hot water temperature.
 1. If this is the first use of the unit for the season, turn water supply on and open each faucet and allow all air to be purged from the water lines.
 2. Turn ON power supply.
 3. Turn ON propane supply. Hot water faucet may have to be cycled several times to purge gas supply.
- C. The water heater only heats when there is a call for water (open hot water faucet).
- D. A minimum of 0.5 gallons per minute is required for water heater to operate.
- E. Faucet should be turned on and adjusted to desired temperature and flow before entering shower.
- F. Showerhead button should NOT be used. Using the showerhead button will create a drop in temperature by reducing or stopping the flow of water through the water heater causing the water heater to shut down.
- G. Flow restrictors in faucets and shower heads should be removed for best performance.

TO TURN OFF THE ON DEMAND WATER HEATER

1. Turn switch to "OFF" position for units using the Switch and Light Assembly.
2. For units using the optional On Demand CONTROL CENTER, press the power button once.
3. Turn off electrical power to the appliance.
4. Turn off gas supply.
5. If vehicle is to be stored or heater is going to be turned off while subject to freezing temperature, drain water heater. (See "Draining and Storage Instructions.")

OPERATIONAL TROUBLESHOOTING

CAUTION

For your safety, ALL repairs and/or maintenance of unit should be performed by your dealer or a qualified service technician.

NOTE: There must be a demand of at least 0.5 GPM for the burner to operate and allow water flow. This will continue until the water flow is turned OFF and the system goes dormant.

NO WATER FLOWS FROM FAUCET WHEN TURNED ON:

1. Be sure water supply is turned ON and there are no water restrictions.

BURNER TURNS ON, TEMPERATURE FLUCTUATES ERRATICALLY:

1. This issue can be caused by restriction in the shower heads, faucet aerators or water strainers.
2. Clean as required and remove any flow restrictions.

ON DEMAND HEATER COMES ON AND RAPIDLY CYCLES ON AND OFF:

1. Water flow is too low. Increase flow at faucet.
2. Clean all shower heads, faucet aerators or water strainers as required and remove any flow restrictions to assure the minimum 0.5 GPM of water flow.
3. Verify the water pump is functioning properly.
4. Bleed air out of plumbing lines by opening all water faucets.
5. If the On Demand water heater cycles as the pump cycles, an accumulator tank is needed in the water system. If accumulator tank is already installed, check for water inside the tank and drain tank until only air is present.
6. Water source pressure fluctuates too low causing loss of flow. Check the incoming water source for a minimum of 30 psi.

WATER TEMPERATURE IS TOO LOW WITH LOWER WATER FLOW:

1. Water flow is too low. Increase flow at faucet to assure the minimum 0.5 GPM of water flow.

WATER TEMPERATURE IS TOO HIGH OR NO TEMPERATURE CONTROL:

1. For units with the Standard Switch and Light assembly, adjust the dip switches to the desired temperature. Refer to **OPERATING INSTRUCTIONS WITH SWITCH AND LIGHT ASSEMBLY** and see **Figure 12** for information on setting dip switches to desired temperature setting.
2. For units using the optional On Demand CONTROL CENTER, press the UP or DOWN arrows on the On Demand CONTROL CENTER to increase the SET water temperature in single increments. Refer to **OPERATING INSTRUCTIONS WITH OPTIONAL ON DEMAND CONTROL CENTER** and see **Figure 13**.

LOW TEMPERATURE RISE AND EXCESSIVE WATER FLOW REQUIRED TO TRIGGER THE ON DEMAND WATER HEATER:

NOTE: If you find that your water heater requires excessive flow to activate it (over 0.5 GPM), it is possible that you have COLD water bleeding into the HOT water side of your water system.

1. Verify that valves and faucets are closed when not in use. Check the shower head for an ON/OFF button/lever and ensure it is in the OFF position to prevent cold water from bleeding into the hot water system. This can keep the On Demand water heater from functioning correctly.
2. If your RV is equipped with a bypass valve at the water plumbing connection, make sure it is in the OFF position. An open valve can allow water to bypass water heater causing a failure to ignite.

NO IGNITION:

If the burner will not come on, the following items should also be checked before calling a service technician:

- A. Switch turned off.
- B. 12 VDC power is ON
- C. Gas supply to heater is empty or turned off.
- D. Water turned on and faucet open.
- E. Check manual reset on ECO switch. Refer to **DETAIL "A" in Figure 9**.

If burner fails to light, call a Suburban service center or a local RV service agency.

MAINTENANCE

WARNING

If the user of this appliance fails to maintain it in the condition in which it was shipped from the factory or if the appliance is not used solely for its intended purpose or if appliance is not maintained in accordance with the instructions in this manual, then the risk of a fire and/or the production of carbon monoxide exists which can cause personal injury, property damage or loss of life.

For your safety, all repairs should be performed by your dealer or a qualified service person.

- A. Periodically inspect unit for soot. If soot is present anywhere on water heater, immediately shut unit down and contact your dealer or a qualified service person. Soot is a sign of incomplete combustion and must be corrected before operating water heater. Areas to check would include:
 1. Check for an obstruction in vent cap.
 2. Check vent to see that no foreign material has accumulated to prevent flow of combustion and ventilating air.
 3. Check to be sure there is no flame present at burner orifice or burner whenever main gas valve is closed. This can be checked by turning the ON/OFF switch to the "OFF" position.
- B. Periodically check wiring and wire connections to be sure wiring is not damaged/frayed and that all terminals and connections are tight and in compliance with codes (See "Making Electrical Connections").

DRAINING AND STORAGE INSTRUCTIONS

If RV is to be stored during winter months, the water heater system must be drained to prevent damage from freezing.

1. Turn off electrical power to water heater either using the switch, the On Demand control center or by removing the fuse.
2. Shut off gas supply to water heater.
3. Turn off pressure pump on water system.
4. Open both hot and cold water faucets.
5. Remove Service Panel to access system drain valve.
6. Turn drain valve knob clockwise to drain.
7. Follow RV manufacturer's instructions for draining entire water system.

NOTE: System will have to be refilled with water and all air removed from lines before unit will re-light.

NOTE: All water must be drained to the outside of the RV - Drain lines must be connected to the system and condensation drains on the water heater and ran to the outside of the RV. Drain Lines should be as short as possible and must maintain a drop of 1/4" per foot from unit. See **Figure 10**.

WINTERIZING

1. Follow RV manufacturer's instructions for draining entire water system.
2. Once drained, RV NON-TOXIC antifreeze can be added if recommended by your coach manufacturer.

FREEZE PROTECTION

The NAUTILUS (IW60) On Demand water heater has built-in FREEZE PROTECTION and will intermittently cycle the burner when the water temperature has fallen below 40°F(4.4°C). This intermittent cycling will continue until the water temperature has risen above 50°F(10.0°C). To provide this freeze protection, the gas supply must be on, gas must be available and electrical power must be on.

If the On Demand Water Heater is dripping water into the drain line, in cold weather, when the water supply temperature is below 38°F and does not stop when the water temperature rises above 38°F, call your local service center. The valve may be disabled by turning the needle valve located on the front of the On Demand Water Heater 5 and 1/2 turns clockwise. Closing the valve will disable the mechanical freeze protection feature. The water system must be drained when not in use to avoid damage caused by ice expanding in water lines if valve is closed.

DESCALING INFORMATION

Each year, drain the water from the system and flush the heat exchanger with an approved descaling solution.

PRESSURE RELIEF VALVE

The temperature and pressure relief valve is designed to open if the temperature of the water within the heater reaches 210°F, or if the water pressure in the heater reaches 145 psi.

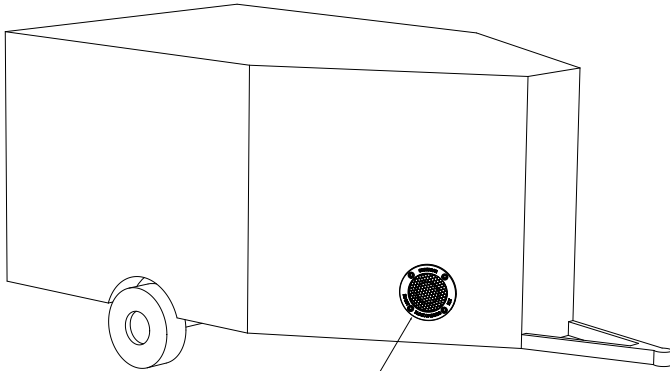
⚠ WARNING

Do not place a valve between the relief valve and the unit.
Do not plug the relief valve under any circumstances.

Suburban recommends that a check valve not be installed directly at the inlet to the water heating unit.

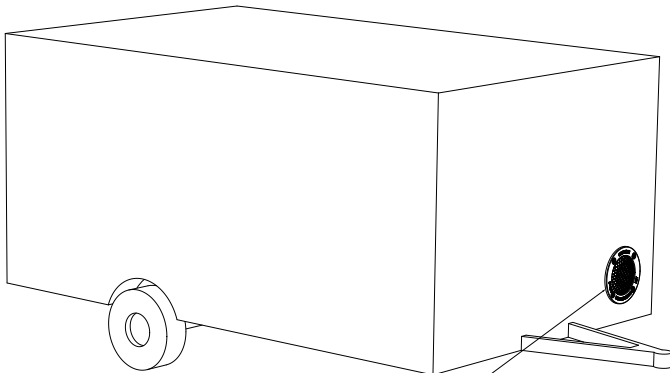
⚠ WARNING

Do not remove or plug the relief valve.



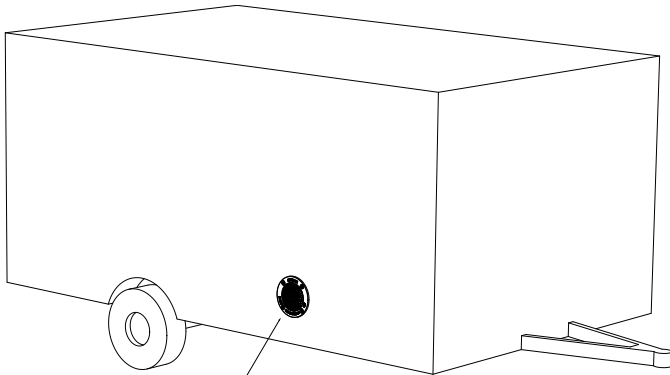
INCORRECT
Enlarged for illustration purposes only

Figure 1



INCORRECT
Enlarged for illustration purposes only

Figure 2



CORRECT
Enlarged for illustration purposes only

Figure 3

REMOVING ON DEMAND WATER HEATER

1. Shut off gas supply and disconnect gas supply line from water heater.
2. Disconnect 12 V.D.C. power supply to heater.
3. Shut off water supply. Drain water from system.
4. Disconnect HOT and COLD water lines from water heater.
5. Remove screws at the back of the unit.
6. Remove vent cap assembly.
7. Remove water heater. To reinstall, follow installation instructions provided in this manual beginning on page 3.

⚠ WARNING

For your safety, ALL repairs and/or maintenance of unit should be performed by your dealer or a qualified service technician.

PARTS AND SERVICE

Contact a conveniently located recommended Suburban Service Center. Describe to them the nature of your problem, make an appointment, if necessary, and provide for delivery of your RV with the appliance installed.

To obtain information on locating a local service agency, contact:

AIRXCEL, Inc. - Suburban Division
Customer Service Department
676 Broadway Street, Dayton, TN 37321
(423) 775-2131 Ext. 7101 • www.Airxcel.com

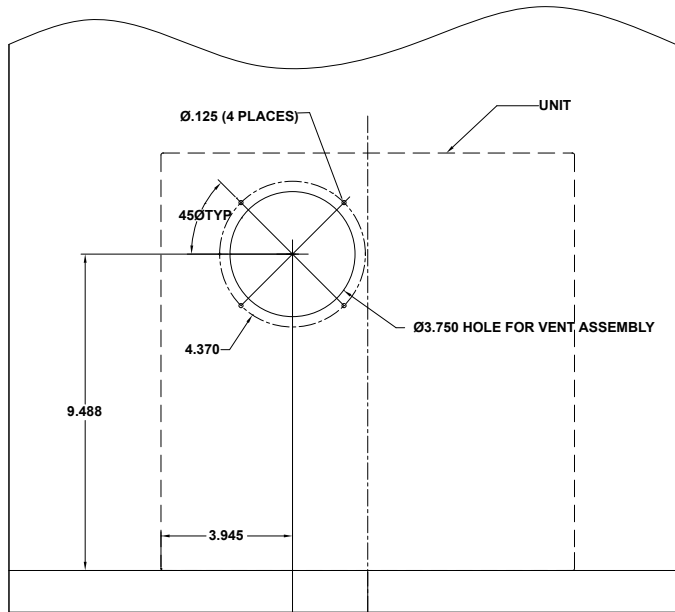


Figure 4

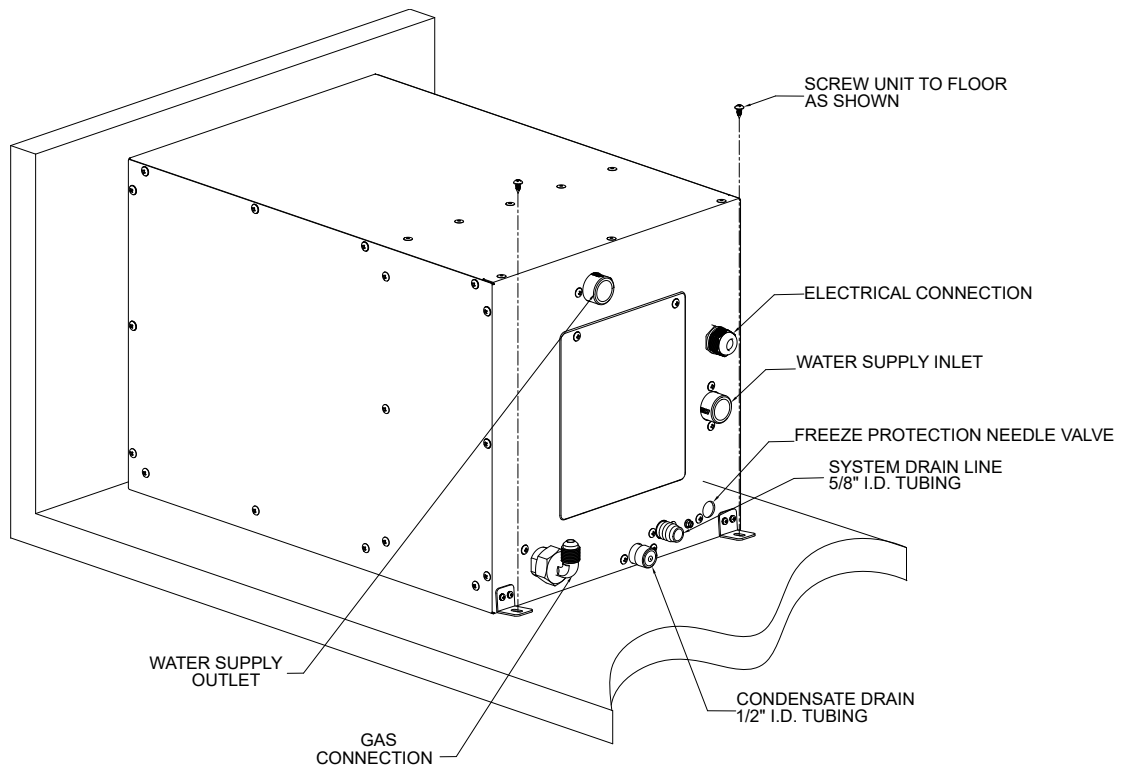


Figure 5

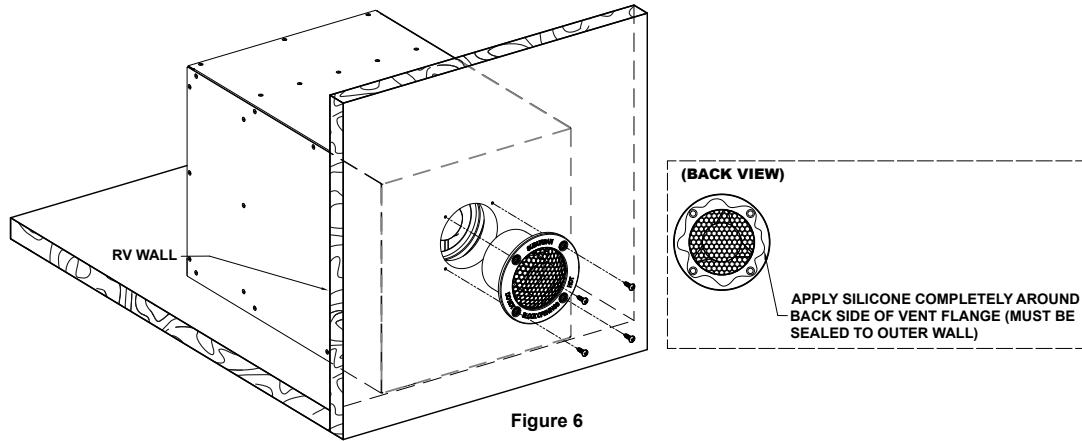
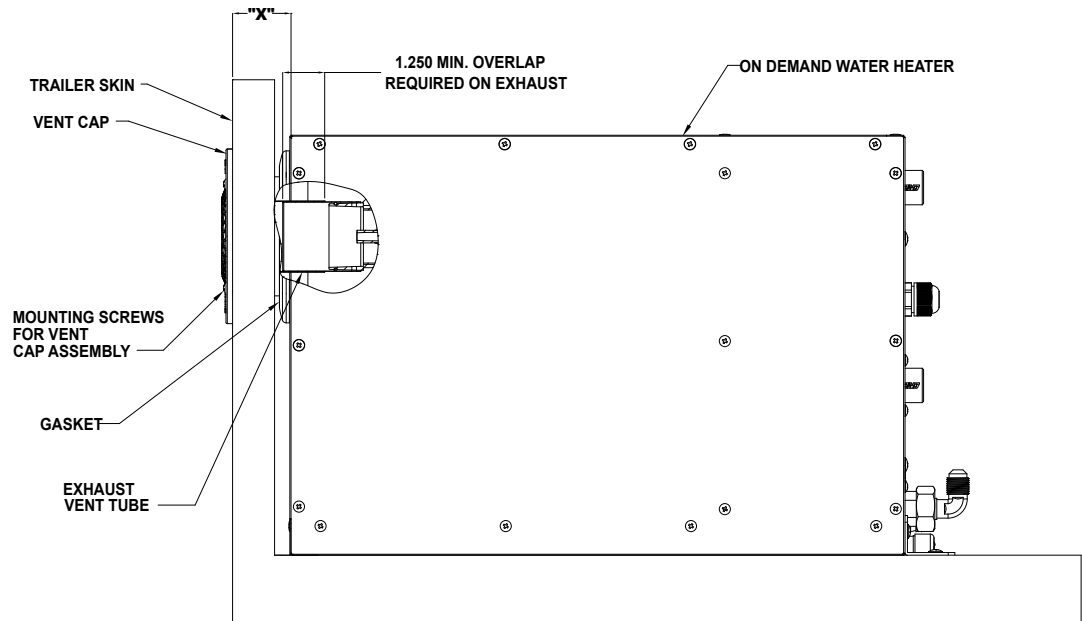
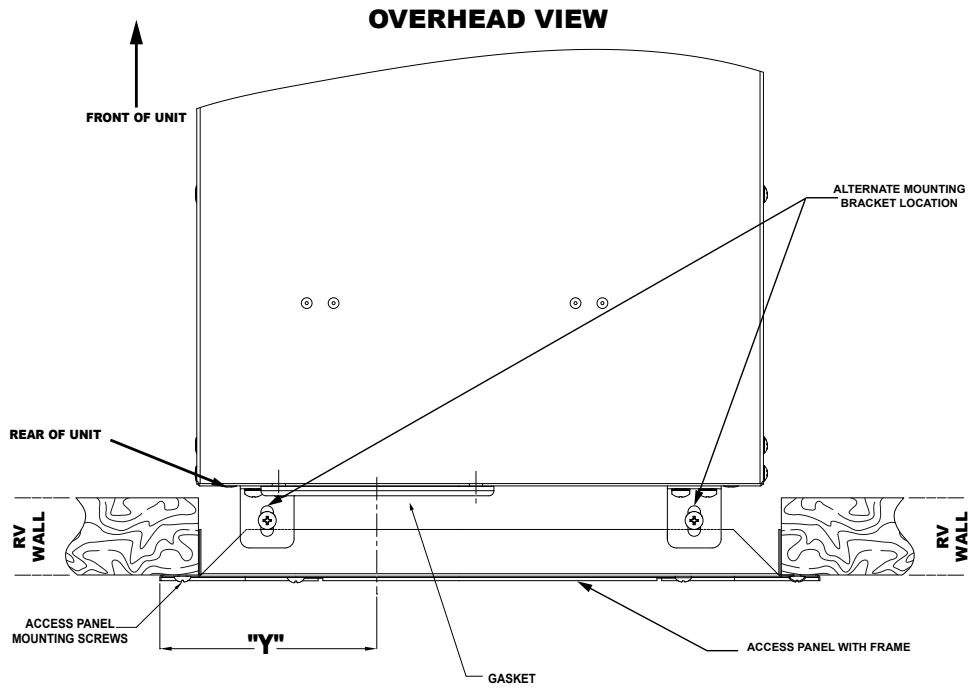


Figure 6



VENT CAP PART NO. 260617 SHOWN FOR INSTALLATION WITHOUT ACCESS PANEL. MAX "X" DIMENSION OF 2.00".

Figure 7A



SUBURBAN ACCESS PANEL	"Y" DIMENSION
6 GALLON	4.895"
10 GALLON	6.634"

Figure 7B

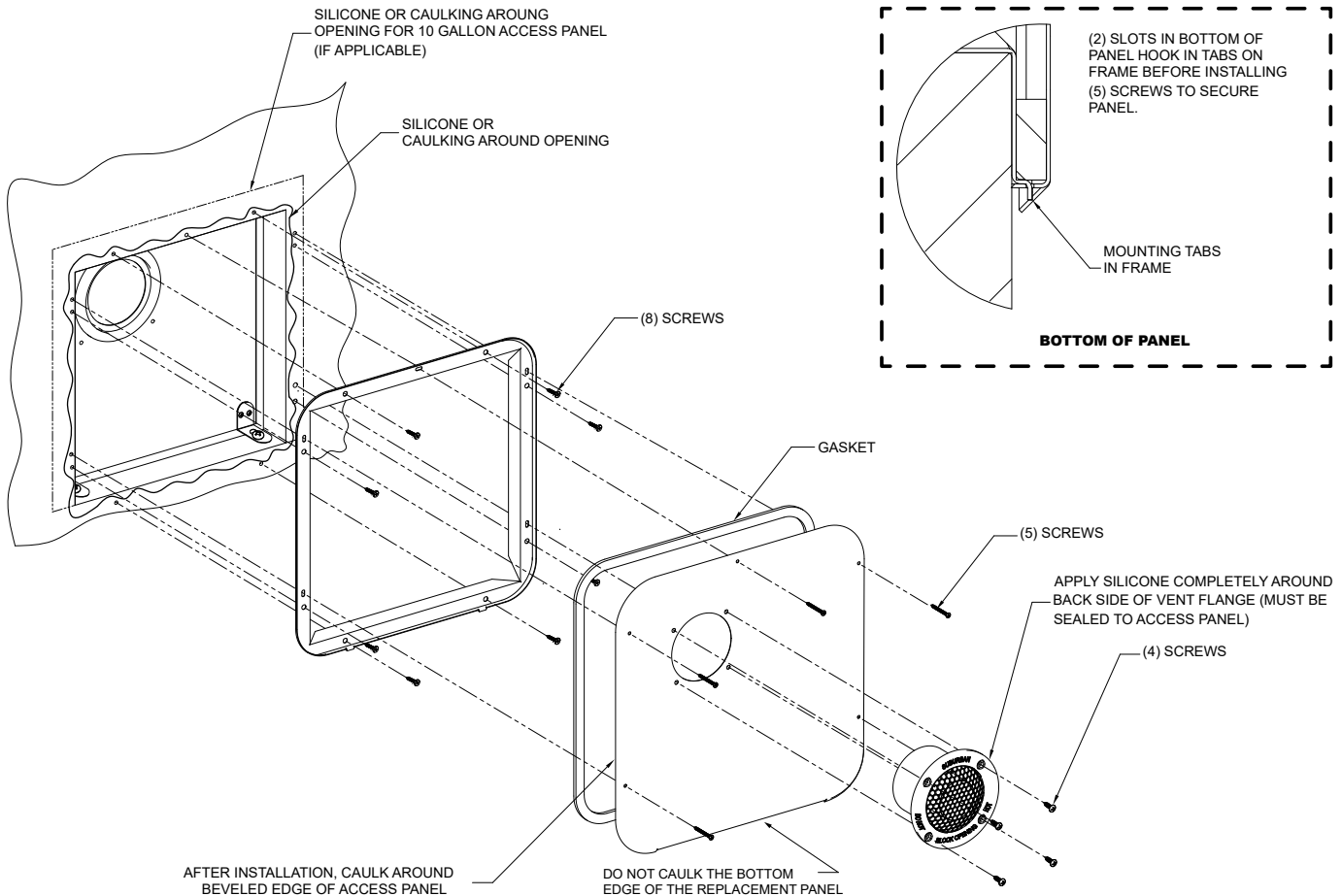


Figure 8

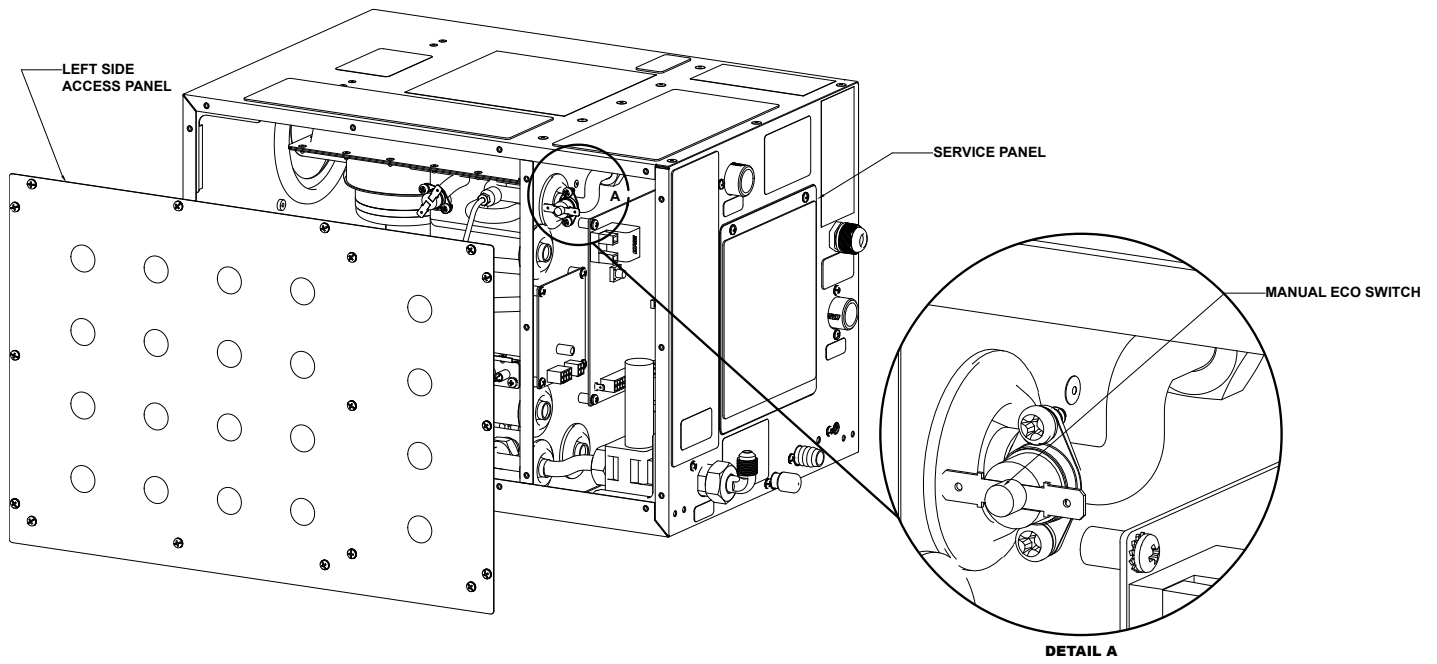


Figure 9

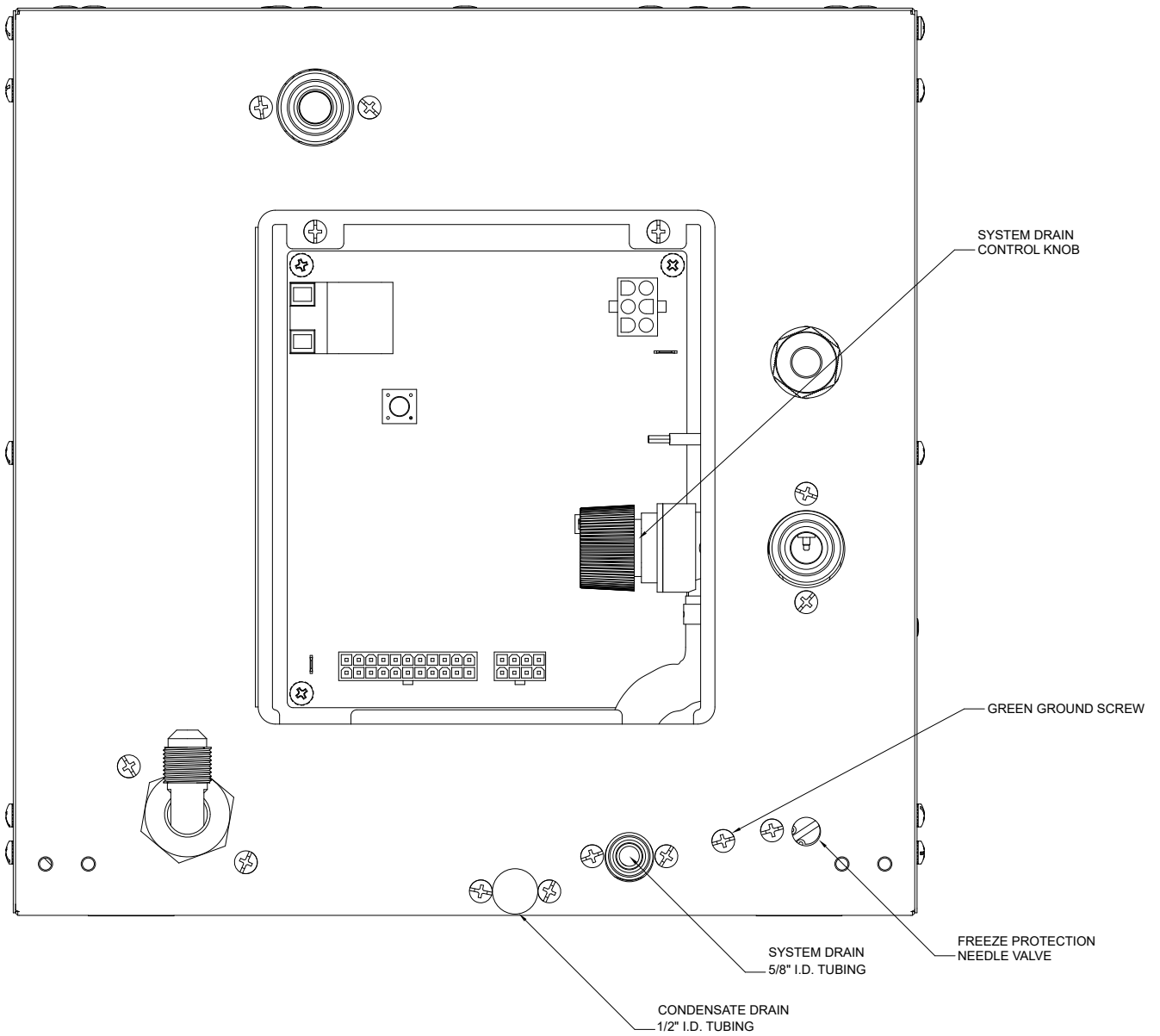


Figure 10

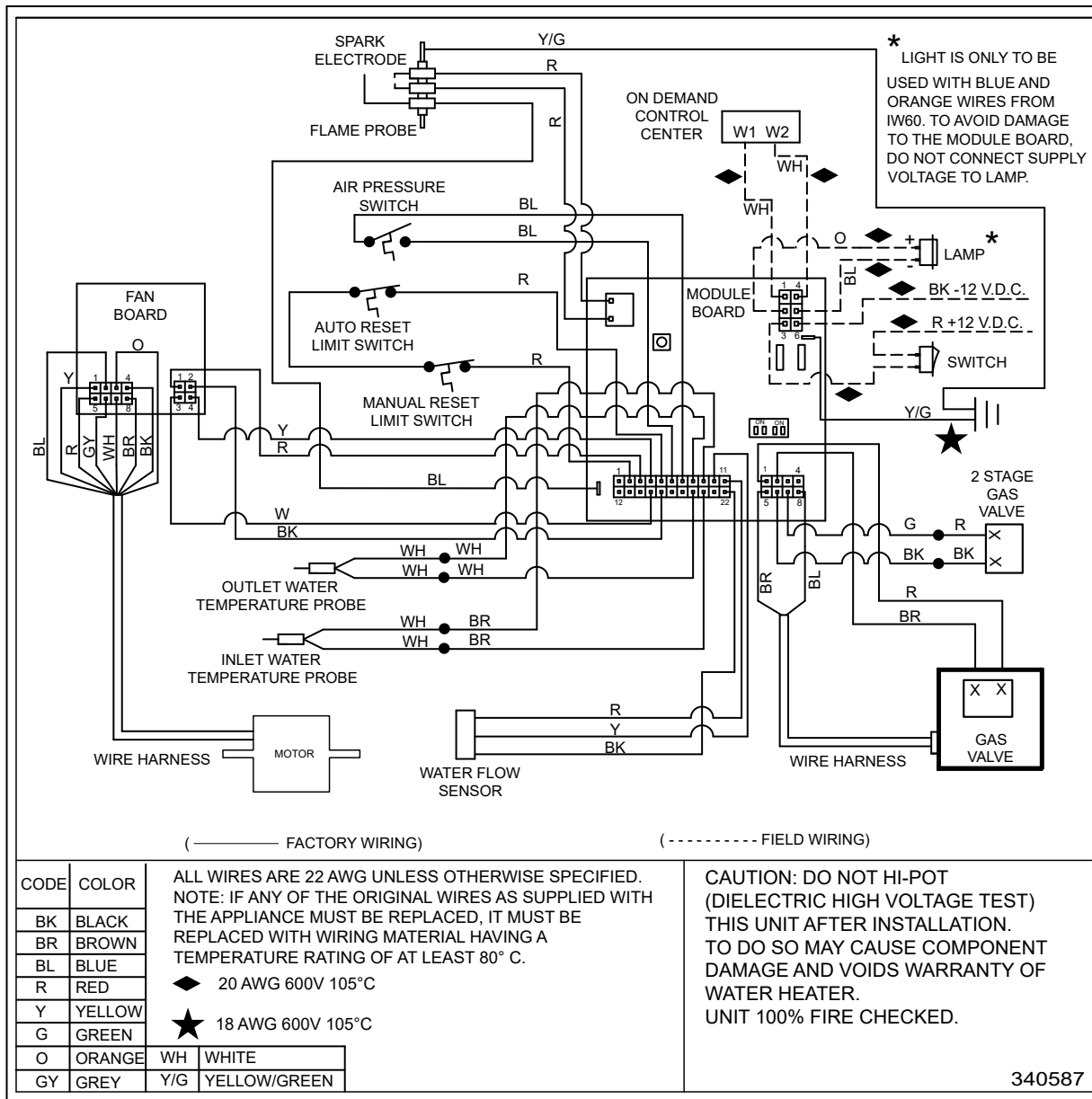


Figure 11

STANDARD SWITCH AND LIGHT ASSEMBLY

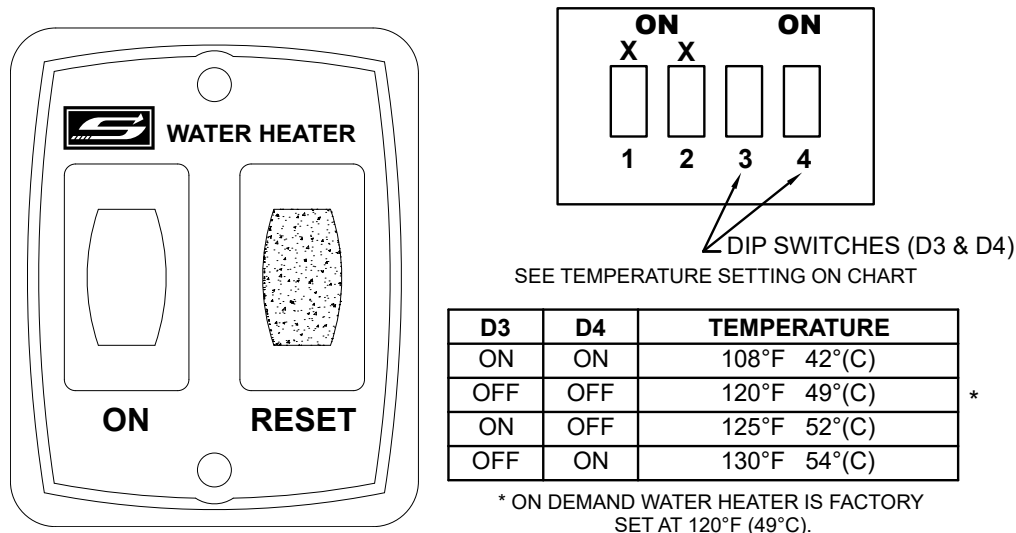
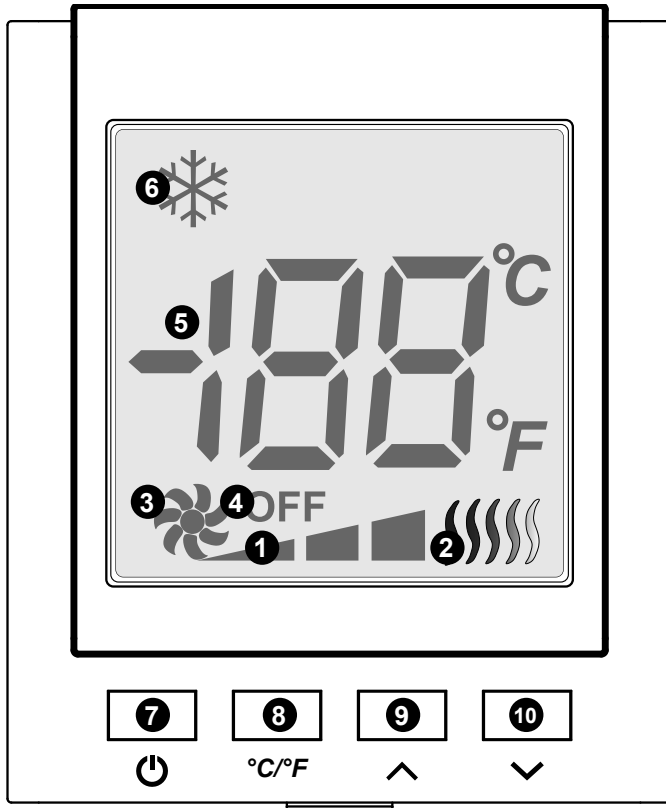


Figure 12

OPTIONAL ON DEMAND CONTROL CENTER



DISPLAY DESCRIPTION			
1		BURNERS	
2		FLAME	This icon is displayed when FLAME is established.
3		BLOWER	This icon is displayed when the BLOWER is running
4	OFF	STATUS INDICATOR	This icon is displayed when the Water Heater is in standby mode, ready to be used.
5		SETTING TEMP INDICATOR; OUTLET WATER TEMP INDICATOR	A. When setting the water temperature, the temperature display will flash. After SET Temperature is reached, the display stops flashing after a few seconds. B. When the demand for hot water has been terminated, the display will return to the SET Temperature. C. When the water heater is turned off, the letters "OF" will be display.
6		FREEZE PROTECTION	This icon is displayed when the FREEZE PROTECTION MECHANISM is engaged.
BUTTON DESCRIPTION			
7		ON/OFF	Power Button. Switch from turning unit ON or turning unit OFF.
8		SWITCH	Hold for 5 seconds to switch between degrees (°) Celcius or degrees (°) Fahrenheit
9		UP	INCREASE SET Temperature by 1 degree increments. Setting range is 35°C/95°F to 55°C/130°F
10		DOWN	DECREASE SET Temperature by 1 degree increments. Setting range is 35°C/95°F to 55°C/130°F

Figure 13

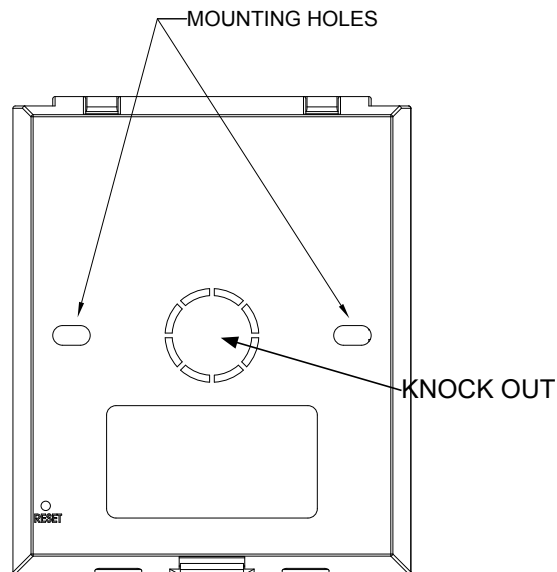


Figure 14

TWO YEAR LIMITED WARRANTY

SUBURBAN RECREATIONAL VEHICLE WATER HEATER

TWO YEAR LIMITED WARRANTY

This Suburban product is warranted to the original purchaser to be free from defects in material and workmanship under normal use and maintenance for a period of two years from date of purchase whether or not actual use begins on that date. It is the responsibility of the consumer/owner to establish the warranty period. Suburban does not use warranty registration cards for its standard warranty. You are required to furnish proof of purchase date through a Bill of Sale or other payment records.

Suburban will replace any parts that are found defective within the first two years and will pay a warranty service allowance directly to the recommended Suburban Service Center at rates mutually agreed upon between Suburban and its recommended service centers. Replacement parts will be shipped FOB the shipping point within the Continental United States, Alaska and Canada to the recommended service center performing such repairs. All freight, shipping and delivery costs shall be the responsibility of the owner. The exchanged part or unit will be warranted for only the unexpired portion of the original warranty. Before having warranty repairs made, confirm that the service agency is a recommended service center for Suburban. DO NOT PAY THE SERVICE AGENCY FOR WARRANTY REPAIRS; SUCH PAYMENTS WILL NOT BE REIMBURSED.

Suburban reserves the right to examine the alleged defect in the water heater or component parts, and it is the owner's obligation to return the water heater and/or component parts to Suburban or its representative. When returning a water heater, it must include all component parts and the serial number plate. Returned component parts must be individually tagged and identified with the water heater's model number, serial number and date of installation.

For warranty service, the owner/user should contact the nearest recommended Suburban Service Center, advising them of the model and serial numbers (located on the water heater) and the nature of the defect. Transportation of the RV to and from the Service Center and/or travel expenses of the Service Center to your location is the responsibility of the owner/user. A current listing of recommended service center may be obtained from Suburban's website: www.Airxcel.com. If you cannot locate a recommended service center locally, the service agency chosen to perform warranty repairs must contact our Service Department at 423-775-2131 for authorization before making repairs. Unauthorized repairs made will not be paid by Suburban.

LIMITATION OF WARRANTIES

ALL IMPLIED WARRANTIES (INCLUDING IMPLIED WARRANTIES OF MERCHANTABILITY) ARE HEREBY LIMITED IN DURATION TO THE PERIOD FOR WHICH EACH LIMITED WARRANTY IS GIVEN. SOME STATES DO NOT ALLOW LIMITATIONS ON HOW LONG AN IMPLIED WARRANTY LASTS SO THE ABOVE LIMITATIONS MAY NOT APPLY TO YOU. THE EXPRESSED WARRANTIES MADE IN THIS WARRANTY ARE EXCLUSIVE AND MAY NOT BE ALTERED, ENLARGED, OR CHANGED BY ANY DISTRIBUTOR, DEALER OR OTHER PERSON WHOMSOEVER.

SUBURBAN WILL NOT BE RESPONSIBLE FOR:

1. Normal maintenance as outlined in the installation, operating and service instructions owner's manual including cleaning of component parts and cleaning or replacement of the burner orifice. Any water damage arising, directly or indirectly, from any defect in the water heater or component parts or from its use.
2. Initial checkouts and subsequent checkouts which indicate the water heater is operating properly, or diagnosis without repair.
3. Damage or repairs required as a consequence of faulty or incorrect installation or application not in conformance with Suburban instructions.
4. Failure to start and/or operate due to loose or disconnected wires; water or dirt in controls, fuel lines and gas units; improper gas pressure; low voltage.
5. Cleaning or adjustment of components; electrode, burner tube, pilot and thermocouple.
6. Costs incurred in gaining access to the water heater.
7. Parts or accessories not supplied by Suburban.
8. Freight charges incurred from parts replacements.
9. Damage or repairs needed as a consequence of any misapplication, abuse, unreasonable use, unauthorized alteration, improper service, improper operation or failure to provide reasonable and necessary maintenance.
10. Suburban products whose serial number has been altered, defaced or removed.
11. Suburban products installed or warranty claims originating outside the Continental U.S.A., Alaska, Hawaii and Canada.
12. Damage as a result of floods, winds, lightning, accidents, corrosive atmosphere or other conditions beyond the control of Suburban.
13. ANY SPECIAL, INDIRECT OR CONSEQUENTIAL PROPERTY, ECONOMIC OR COMMERCIAL DAMAGE OF ANY NATURE WHATSOEVER

Some states do not allow the exclusion of incidental or consequential damages, so the above limitation may not apply to you.

NO REPRESENTATIVE, DEALER, RECOMMENDED SERVICE CENTERS OR OTHER PERSON IS AUTHORIZED TO ASSUME FOR SUBURBAN MANUFACTURING COMPANY ANY ADDITIONAL, DIFFERENT OR OTHER LIABILITY IN CONNECTION WITH THE SALE OF THIS SUBURBAN PRODUCT.

This warranty gives you specific legal rights, and you may also have other rights which vary from state to state.

IF YOU HAVE A PRODUCT PROBLEM

FIRST: If your RV has its original water heater and is still under the RV manufacturer's warranty, follow the steps suggested by your dealer or manufacturer of the RV.

SECOND: Contact a conveniently located recommended Suburban Service Center. Describe to them the nature of your problem, make an appointment, if necessary, and provide for delivery of your RV to the selected service center.

THIRD: For the location of the nearest Service Center, refer to the listing provided or contact:

AIRXCEL, INC. - SUBURBAN DIVISION
Customer Service Department
676 Broadway Street
Dayton, Tennessee 37321
(423) 775-2131, Ext. 7101
www.Airxcel.com

FOR FUTURE REFERENCE, YOU SHOULD RECORD THE FOLLOWING INFORMATION:

MODEL NUMBER: _____

SERIAL NUMBER: _____

STOCK NUMBER: _____

DATE OF PURCHASE: _____



NUMERO DE MODELE:	_____
NUMERO DE SERIE:	_____
NUMERO DE STOCK:	_____
DATE D'ACHAT:	_____

POUR RÉFÉRENCE ULTÉRIEURE, VOUS DEVEZ ENREGISTRER LES INFORMATIONS SUIVANTES :

PREMIÈREMENT : Si votre VR possède un chauffe-eau d'origine et est encore protégé par la garantie du constructeur de véhicules récréatifs, suivre les étapes proposées par le concessionnaire ou le constructeur du VR.

DEUXIÈME : Prendre contact avec un centre de service Suburban recommandé, idéalement situé. Lui décrire la nature du problème, prendre rendez-vous, le cas échéant, et assurer la livraison du VR au centre de service choisi.

TROISIÈME : Pour l'emplacement du centre de service le plus proche, voir la liste fournie ou contacter :

AIRXCEL, INC. - DIVISION SUBURBAN
Service-clientèle
676 Broadway Street
Dayton, Tennessee 37321
+1 (423) 775-2131, poste 7101
www.Airxcel.com

POUR TOUT PROBLÈME CONCERNANT UN PRODUIT PRÉSENT

La présente garantie vous accorde des droits spécifiques, en plus d'autres droits éventuels variant d'un État, d'une province ou d'un territoire à un autre. Certains états ne permettent pas l'exclusion de dommages indirects ou consécutifs, de sorte que la limitation ci-dessus peut ne pas s'appliquer dans votre cas. AUCUN REPÈSENTANT, CONCESSIONNAIRE, CENTRE DE SERVICE RECOMMANDÉ OU UNE AUTRE PERSONNE N'EST AUTORISÉ(E) À ASSUMER POUR L'ENTREPRISE DE FABRICATION SUBURBAN QUELQUE RESPONSABILITÉ ADDITIONNELLE, DIFFÉRENTE OU AUTRE EN RELATION AVEC LA VENTE DU PRODUIT SUBURBAN.

13. DE QUELQUE DOMMAGE SPÉCIAL, INDIRECT, ÉCONOMIQUE OU COMMERCIAL DE QUELQUE NATURE QUE CE SOIT.

12. Des dommages causés par une inondation, le vent, la foudre, les accidents, une atmosphère corrosive ou autre condition indépendante de la volonté de Suburban;

11. Des produits Suburban installés ou des réclamations au titre de la garantie provenant des États-Unis continentaux, de l'Alaska, d'Hawaï et du Canada;

10. Des produits Suburban dont le numéro de série a été modifié, effacé ou enlevé;

9. Des dommages ou des réparations nécessaires à la suite de quelque utilisation impropre, abusive ou déraisonnable, modification non autorisée, entretien inapproprié, fonctionnellement inapproprié ou incapacité à fournir un entretien raisonnable et nécessaire;

8. Des frais de transport encourus pour le remplacement de pièce;

7. D'une pièce ou d'un accessoire non fourni(e) par Suburban;

6. Des frais encourus pour l'accès au chauffe-eau;

5. Du nettoyage ou de l'ajustement des composants; d'une électrode, d'un tube de brûleur, d'une veilleuse et du thermocouple;

4. Du défaut de démarrage et/ou de fonctionnement en raison de fils desserrés ou débranchés; de l'eau ou de la saleté dans les commandes, les conduites de carburant et les appareils de gaz; d'une pression de gaz incorrecte; d'une basse tension;

3. Des dommages ou des réparations nécessaires à la suite d'une installation ou d'une application défectueuse ou incorrecte non conforme aux consignes de Suburban;

2. Des vérifications initiales et celles ultérieures indiquant que le chauffe-eau fonctionne de manière appropriée, ou qu'aucune réparation ne s'avère nécessaire après un diagnostic;

1. L'entretien normal décrit dans le manuel du propriétaire, les consignes d'installation, de fonctionnement et d'entretien, y compris le nettoyage des composants, le nettoyage ou le remplacement de l'orifice du brûleur. Tout dommage découlant de l'eau, directement ou indirectement, de tout défaut au chauffe-eau ou aux composants ou de son utilisation.

SUBURBAN NE SERA PAS TENUE RESPONSABLE DE :

L'entretien normal décrit dans le manuel du propriétaire, les consignes d'installation, de fonctionnement et d'entretien, y compris le nettoyage des composants, le nettoyage ou le remplacement de l'orifice du brûleur. Tout dommage découlant de l'eau, directement ou indirectement, de tout défaut au chauffe-eau ou aux composants ou de son utilisation.

LIMITATION DE GARANTIES

TOUTE GARANTIE IMPLICITE (Y COMPRIS TOUTE GARANTIE IMPLICITE DE QUALITÉ MARCHANDE) EST LIMITÉE EN TERMES DE DURÉE À LA PÉRIODE IMPLICITE; AINSI, LES LIMITATIONS CI-DESSUS PEUVENT NE PAS S'APPLIQUER DANS VOTRE CAS. LES GARANTIES EXPLICITES AU TITRE DE LA PRÉSENTE GARANTIE SONT EXCLUSIVES ET NE PEUVENT PAS ÊTRE MODIFIÉES, ÉTENDUES, OU CHANGÉES PAR UN DISTRIBUTEUR, UN CONCESSIONNAIRE OU UNE AUTRE PERSONNE SAUF TENU RESPONSABLE DE :

de la garantie, le propriétaire/l'utilisateur doit contacter le centre de service Suburban recommandé le plus proche, pour l'informer des numéros de modèle et de série (situé sur le chauffe-eau) et la nature du défaut. Le transport du VR vers et depuis le centre de service et/ou les frais de déplacement du centre de service à votre emplacement sont de la responsabilité du propriétaire/l'utilisateur. La liste actuelle des centres de service recommandés peut être obtenue sur le site de Suburban www.Airxcel.com. En cas de l'impossibilité de localiser un centre de service recommandé local, l'agence de service choisi pour effectuer les réparations au titre de la garantie doit contacter notre service à la clientèle au +1 (423) 775-2131 pour autorisation avant de faire effectuer les réparations. Les réparations effectuées sans autorisation ne seront pas payées par Suburban.

Suburban se réserve le droit d'examiner le défaut présumé dans le chauffe-eau ou les composants, et c'est l'obligation du propriétaire de retourner le chauffe-eau et/ou ses composants à Suburban ou à son représentant. Au moment du retour d'un chauffe-eau, il doit comporter tous les composants et la plaque de numéro de série. Les pièces de composant retournées doivent être étiquetées et identifiées individuellement avec le numéro de modèle, le numéro de série et la date d'installation du chauffe-eau.

PAYER L'AGENCE DE SERVICE POUR LES RÉPARATIONS AU TITRE DE LA GARANTIE; CES PAIEMENTS NE SERONT PAS REMBOURSÉS.

Suburban remplacera toutes les pièces qui sont jugées défectueuses dans les deux premières années et versera une indemnité de service au titre de la garantie directement au centre de service Suburban recommandé à la hauteur mutuellement convenue entre Suburban et ses centres de service recommandés. Les pièces de rechange seront livrées FAB du point d'expédition dans les États-Unis continentaux, en Alaska et au Canada au centre de service recommandé effectuant ces réparations. Tous les frais de fret, d'expédition et de livraison sont à la charge du propriétaire. La pièce ou l'appareil échangés seront uniquement garantis pendant la période restante de la garantie d'origine. Avant de faire effectuer les réparations au titre de la garantie, confirmer que l'agence de service est un centre de service recommandé pour Suburban. **NE PAS** Suburban garantit à l'acheteur d'origine que ce produit est exempt de défaut de matériaux et de fabrication dans les conditions normales d'utilisation et d'entretien pour une période de deux ans à compter de la date d'achat que l'utilisation réelle débute ou non à cette date. Il incombe au consommateur/propriétaire d'établir la période de garantie. Suburban n'utilise pas les cartes d'enregistrement de la garantie pour sa garantie standard. La preuve de la date d'achat par un acte de vente ou autre dossier de paiement doit être fournie.

GARANTIE LIMITÉE DE DEUX ANS

GARANTIE LIMITÉE DE DEUX ANS

CHAUFFE-EAU SUBURBAN POUR VÉHICULES RÉCRÉATIFS

MODULE DE COMMANDE INSTANTANÉ EN OPTION

DISPLAY DESCRIPTION	
 2 BURNERS  5 BURNERS	BRULEURS Cette icône s'affiche lorsque la FLAMME est établie.
	VENTILATEUR Cette icône s'affiche lorsque le VENTILATEUR REFOULANT est en marche.
OFF	INDICATEUR DE STATUT Cette icône apparaît lorsque le chauffe-eau est en mode veille, prêt à être utilisé.
	PROTECTION ANTIGEL Cette icône est affichée lorsque le mécanisme de protection anti-gel est engagé.

1 	RÉGLAGE DU POINT DE CONSIGNE DE L'INDICATEUR DE TEMPÉRATURE: A. Au moment du réglage de la température de l'eau, l'affichage de la température clignote. Après l'atteinte du point de consigne de la température, l'affichage cesse de clignoter au bout de quelques secondes. B. Lorsque la demande en eau chaude prend fin, l'affichage retourne à la température de consigne. C. Lorsque le chauffe-eau est éteint, les lettres "OF" s'affichent.
2 	FLAMME Cette icône s'affiche lorsque la FLAMME est établie.
3 	VENTILATEUR Cette icône s'affiche lorsque le VENTILATEUR REFOULANT est en marche.
4 OFF	INDICATEUR DE STATUT Cette icône apparaît lorsque le chauffe-eau est en mode veille, prêt à être utilisé.
5 	RÉGLAGE DU POINT DE CONSIGNE DE L'INDICATEUR DE TEMPÉRATURE: A. Au moment du réglage de la température de l'eau, l'affichage de la température clignote. Après l'atteinte du point de consigne de la température, l'affichage cesse de clignoter au bout de quelques secondes. B. Lorsque la demande en eau chaude prend fin, l'affichage retourne à la température de consigne. C. Lorsque le chauffe-eau est éteint, les lettres "OF" s'affichent.
6 	PROTECTION ANTIGEL Cette icône est affichée lorsque le mécanisme de protection anti-gel est engagé.

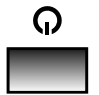

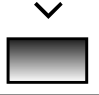
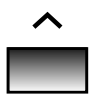
7 	SOUS TENSION/ INTERRUPTEUR pour la mise sous tension de l'appareil ou la mise hors tension de l'appareil. Bouton d'alimentation.
8 	INTERRUPTEUR des degrés (°) Celsius aux degrés Fahrenheit (°) Fahrenheit. Pendant 5 secondes pour passer
9 	FLECHE HAUT AUGMENTER la température de consigne par incréments de 1 degré. La plage de réglage du point de consigne est de 35 °C (95 °F) à 55 °C (130 °F).
10 	FLECHE BAS DIMINUER la température de consigne par incréments de 1 degré. La plage de réglage du point de consigne est de 35 °C (95 °F) à 55 °C (130 °F).

Figure 13

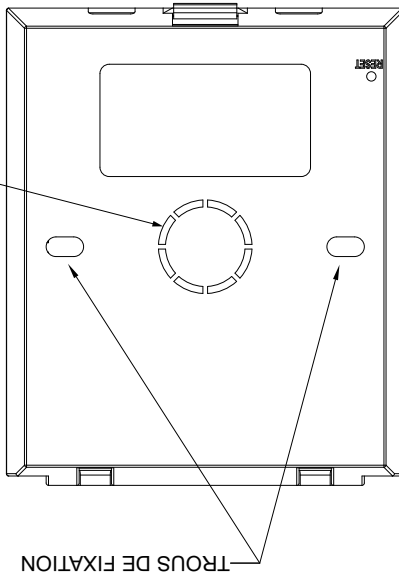
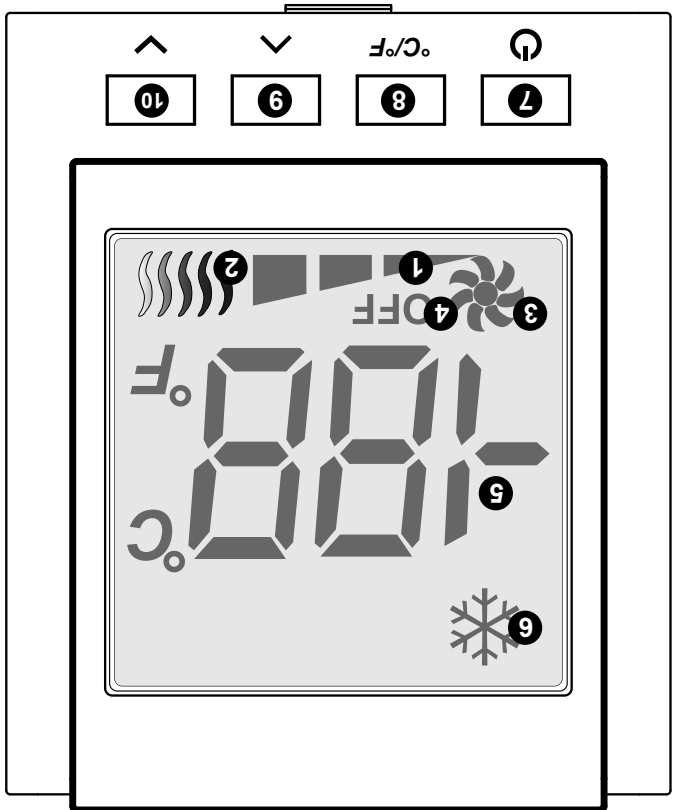


Figure 14

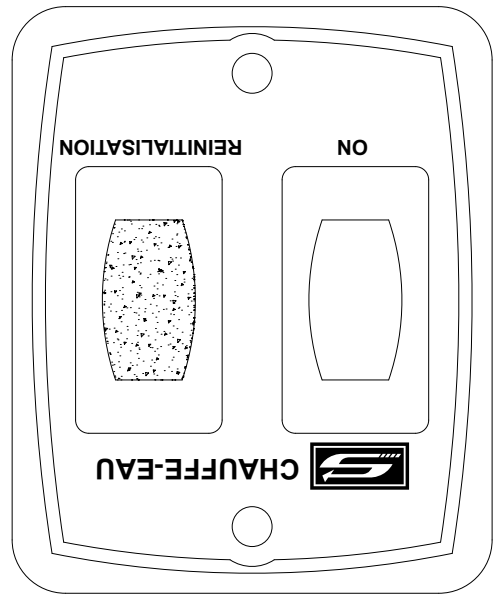
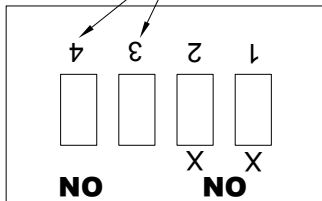


Figure 12

* LE HAUFFE-EAU INSTANTANE EST
REGLE EN USINE A 120°F (49°C).

TEMPERATURE	D3	D4
108°F 42°C	ON	ON
120°F 49°C	OFF	OFF
125°F 52°C	ON	OFF
130°F 54°C	OFF	ON

VOIR LE REGLAGE DE LA TEMPERATURE AU TABLEAU
COMMUTATEURS DIP (D3 & D4)



ENSEMBLE INTERRUPTEUR ET VOTANT STANDARD

Figure 11

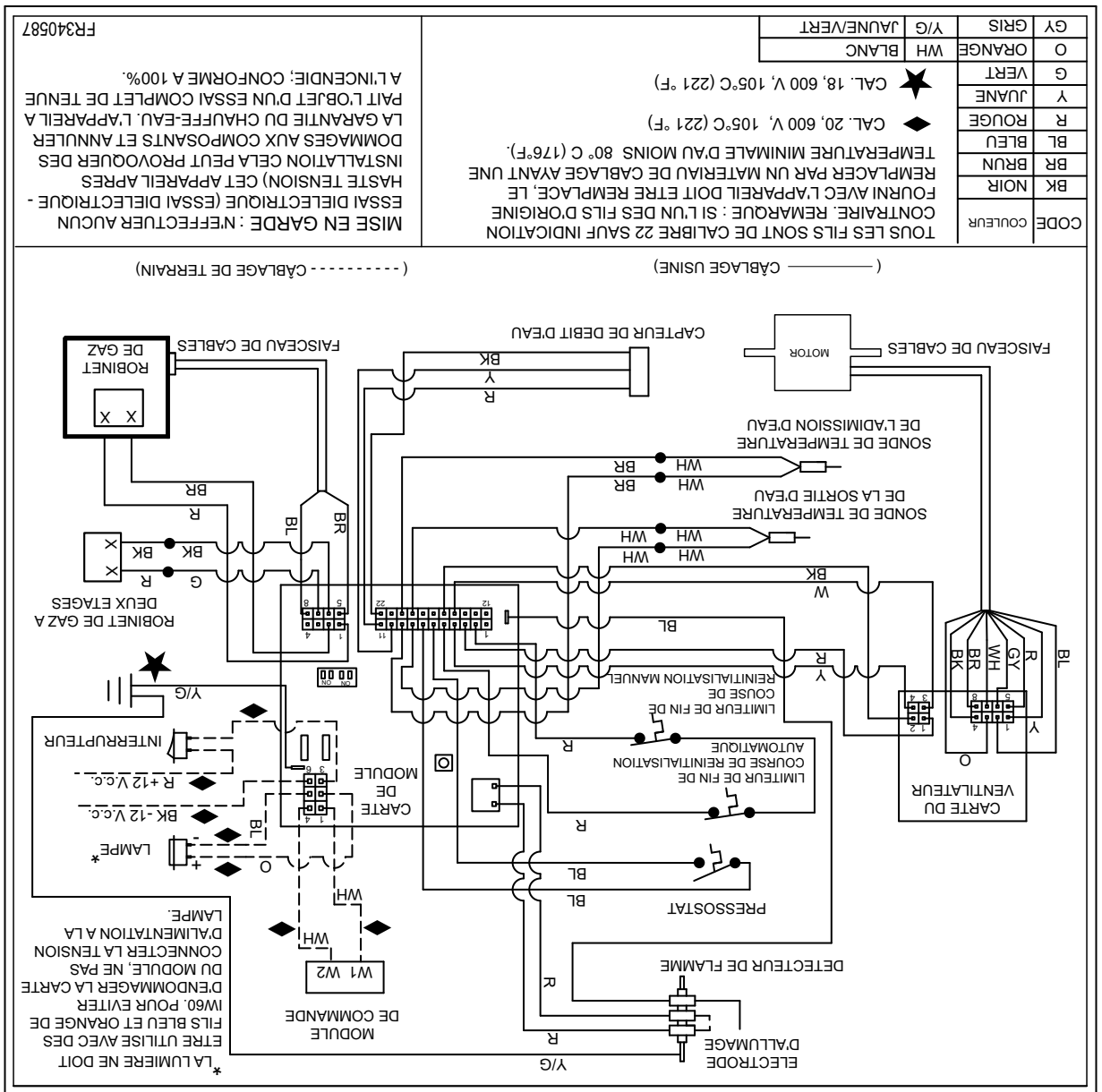


Figure 10

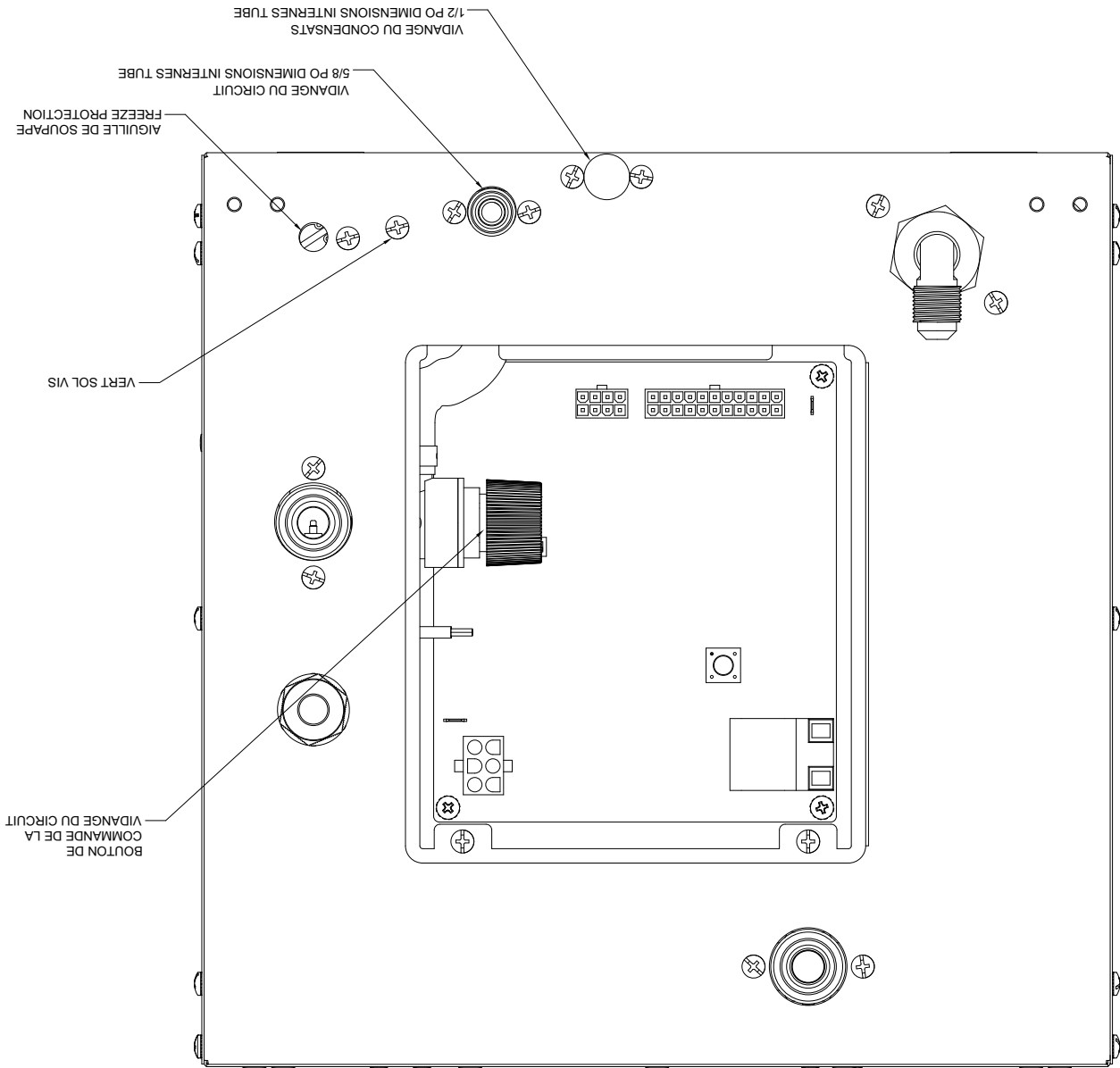


Figure 9

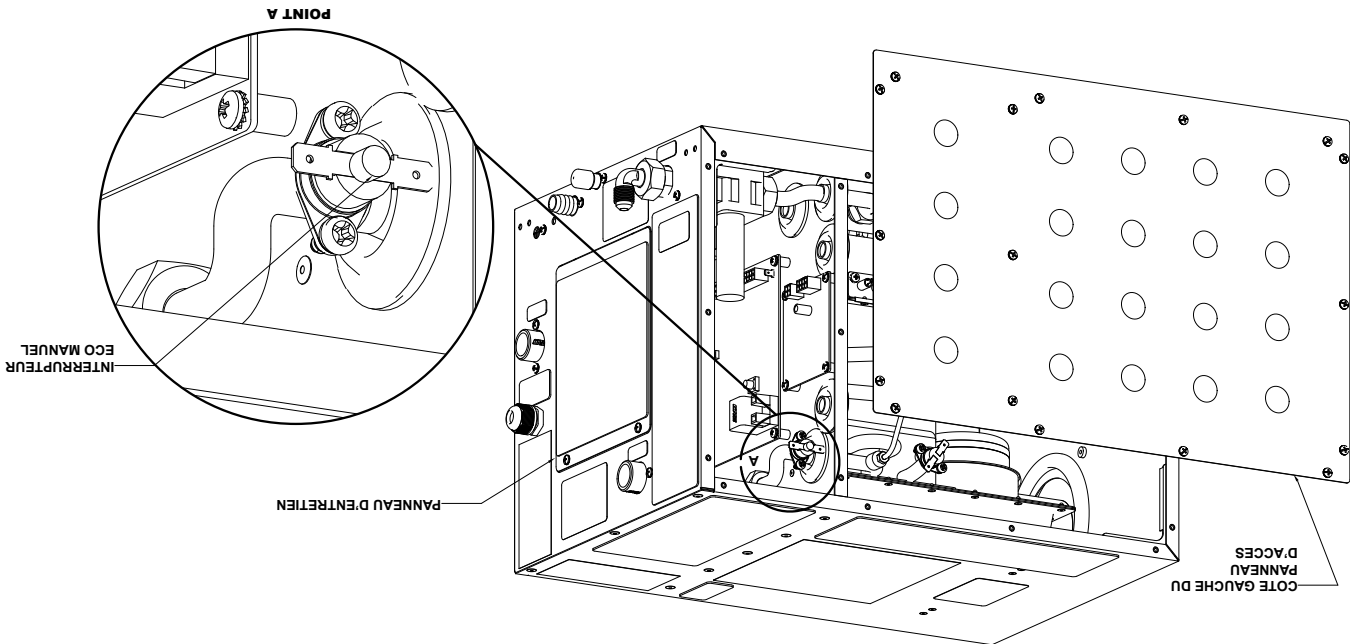


Figure 8

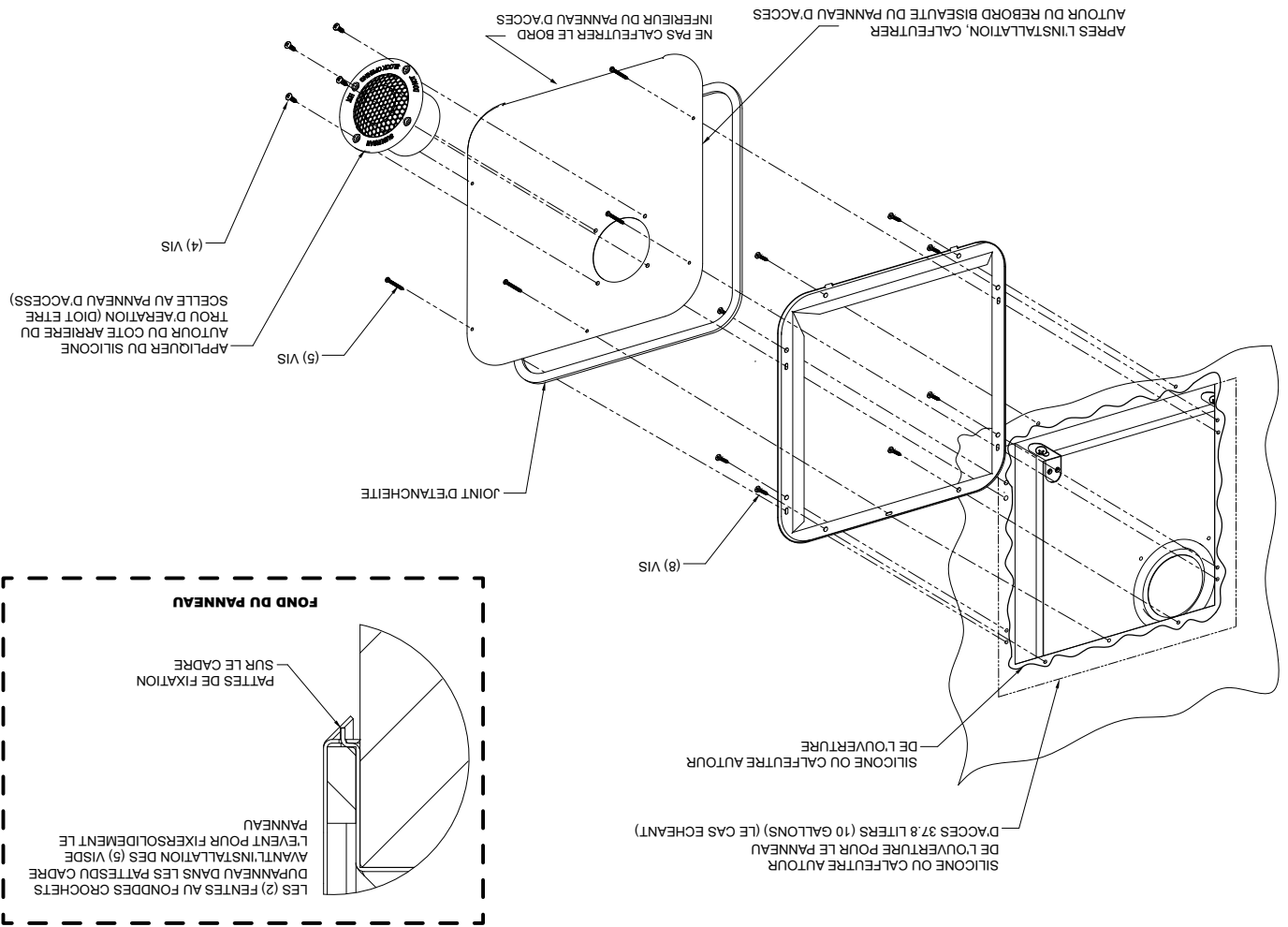
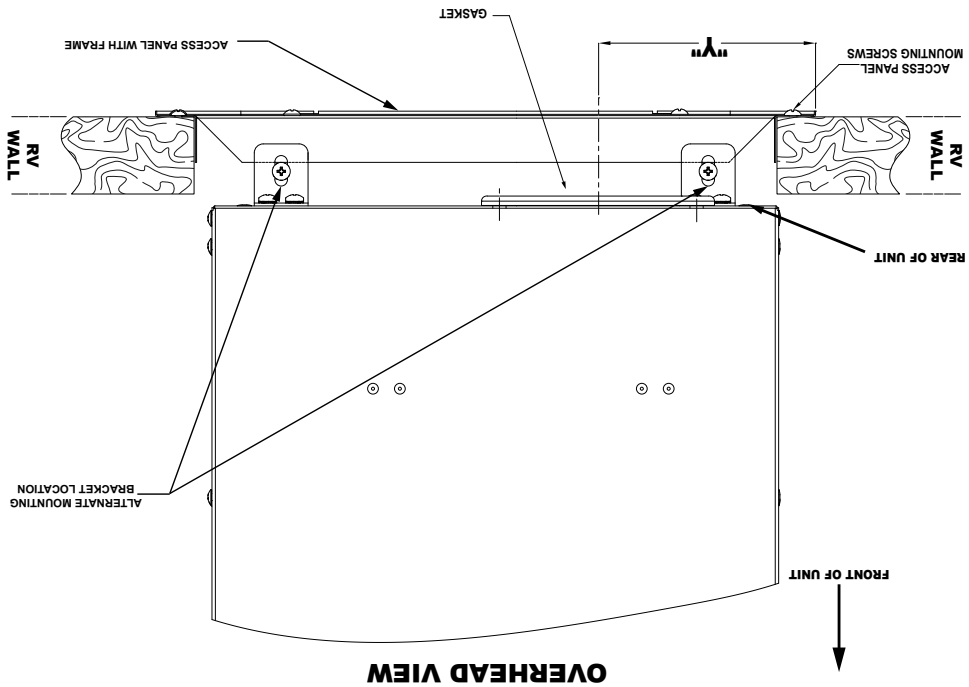


Figure 7b

37,85 LITRES	16,850 CM
22,7 LITRES	12,433 cm
PANNEAU D'ACCÈS SUBURBAN	



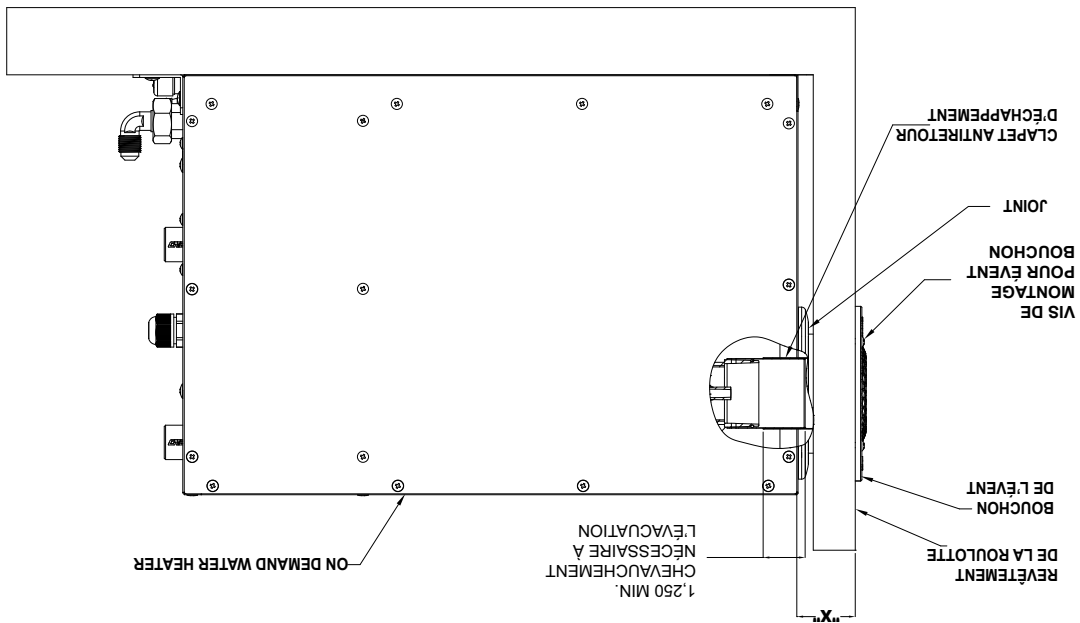


Figure 6

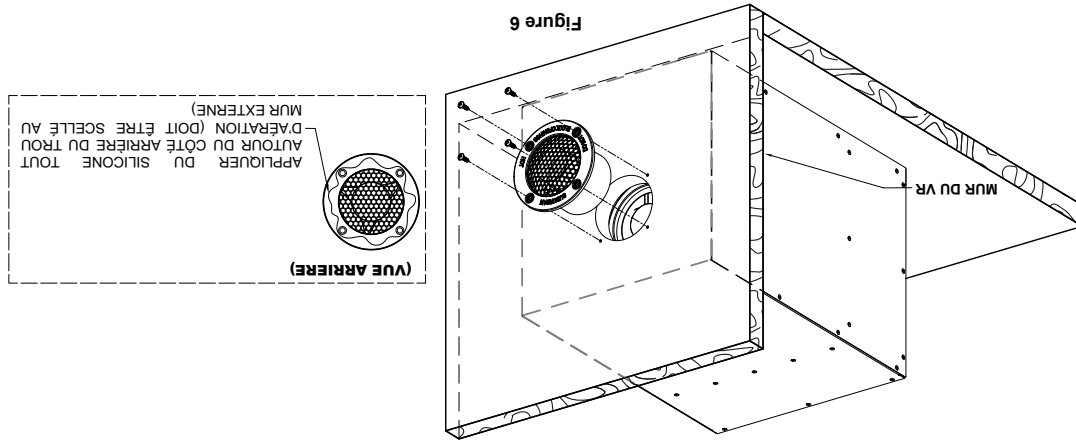
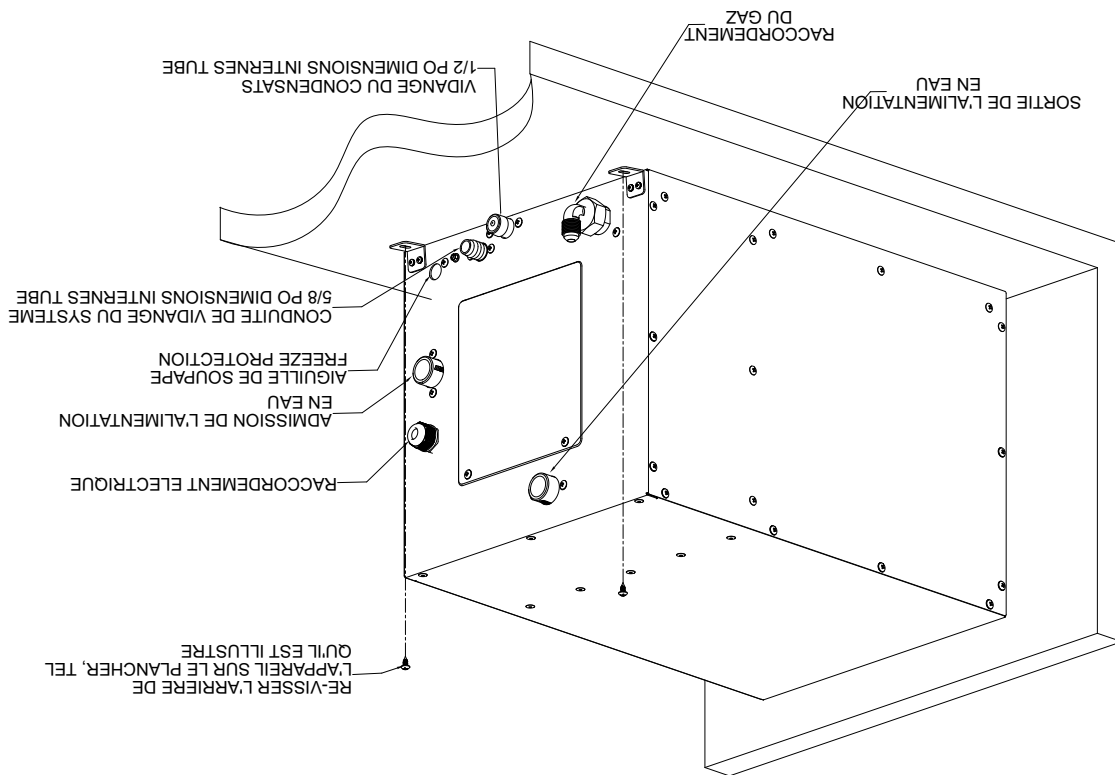
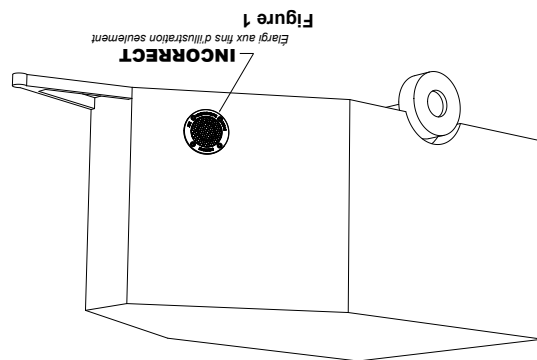
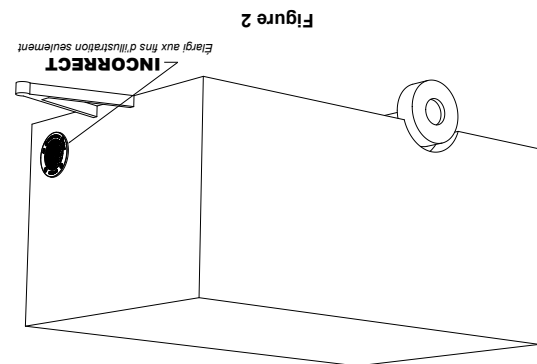
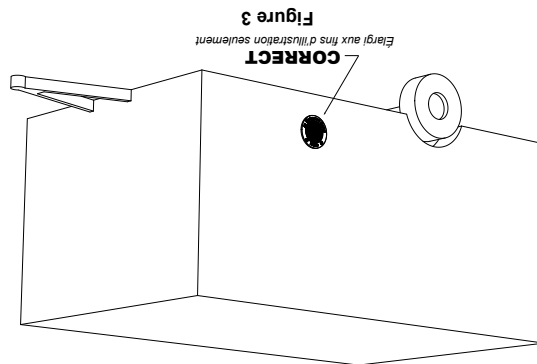
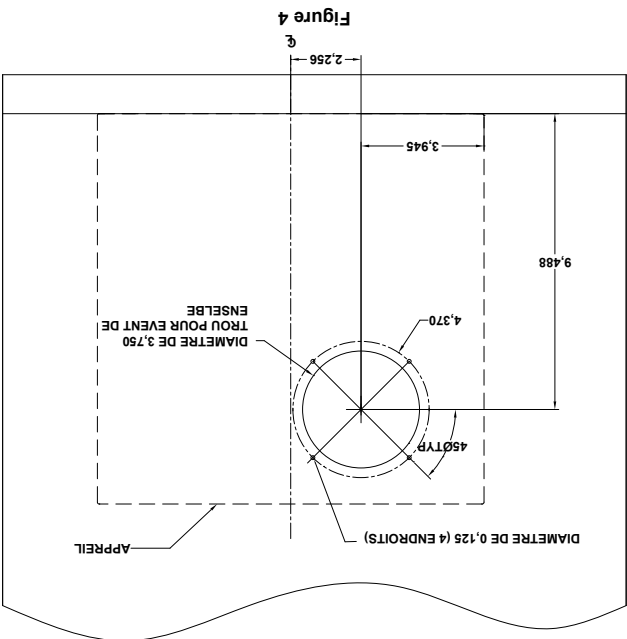


Figure 5





AVERTISSEMENT
Ne pas retirer ou brancher la soupape de sécurité.

Suburban recommande qu'aucun clapet anti-retourne ne soit installé directement à l'admission du chauffe-eau.

AVERTISSEMENT
Ne pas installer de soupape entre la soupape de sécurité et l'appareil.
Ne brancher la soupape de sécurité en aucune circonstance.

SOUPAPE DE DÉCOMPRESSION
La soupape de température et de décompression est conçue pour ouvrir si la température de l'eau dans le chauffe-eau atteint 98 °C ou si la pression de l'eau dans le chauffe-eau atteint 999,7 kPa.

RENSEIGNEMENTS SUR LE DÉTARTRAGE
Chaque année, évacuer l'eau du système et rincer l'échangeur de chaleur avec une solution de détartrage approuvée.

Le mécanisme de protection auxiliaire. Le circuit d'eau doit être vidangé lorsqu'il n'est pas en cours d'utilisation pour éviter des dommages causés par la glace qui épaissit dans les conduites d'eau si le robinet est fermé.

PIÈCES ET ENTRETIEN
Contacter un centre d'entretien Suburban recommandé près de chez vous. Décrivez-leur la nature du problème, prenez un rendez-vous (au besoin) et chargez-vous de la livraison de votre VR avec l'appareil installé.
Pour obtenir de l'information pour contacter une agence de service locale, communiquer avec :
AIRXCEL, Inc. - Suburban Division
Customer Service Department
676 Broadway Street, Dayton, TN 37321
(423) 775-2131 Ext. 7101 • www.airxcel.com

AVERTISSEMENT
Pour votre sécurité, TOUTES les réparations et/ou l'entretien de l'appareil doivent être effectués par votre dépositaire ou un technicien d'entretien qualifié.

RETIRER LE ON DEMAND WATER HEATER

1. Fermer l'alimentation en gaz et débrancher le tuyau d'alimentation en gaz du chauffe-eau.
2. Débrancher l'alimentation 12 Vcc du chauffe-eau.
3. Fermer l'alimentation en eau. Évacuer l'eau du système.
4. Débrancher les conduites d'eau chaude et d'eau froide du chauffe-eau.
5. Retirer les vis à l'arrière de l'appareil.
6. Retirer l'assemblage du bouchon de l'évent.
7. Retirer le chauffe-eau. Pour réinstaller, suivre les instructions fournies dans ce manuel à partir de la page 3.

REMARQUE : La présence d'air dans la conduite de gaz à la suite d'un remplacement des réservoirs à propane est la raison principale pour laquelle le brûleur ne s'allume pas. Une méthode simple pour purger l'air de la conduite de gaz est d'allumer un brûleur sur l'appareil de cuisson installé dans votre VR.

FONCTIONNEMENT DES ROBINETS ET DE LA DOUCHE AVEC LE ON DEMAND WATER HEATER NAUTILUS (IW60)

- A. Tous les robinets doivent fonctionner de la même façon que dans votre maison.
- B. Le thermostat de l'appareil est réglé à 49° C en usine. Ajouter de l'eau froide pour atteindre la température d'eau chaude souhaitée.
- 1. Si l'eau est utilisée pour la saison, ouvrir le robinet d'alimentation d'eau et ouvrir chaque robinet pour que l'air soit évacué des conduites d'eau.
- 2. Mettre l'appareil sous tension (ON).
- 3. Ouvrir l'alimentation en gaz propane. Le robinet d'eau chaude pourrait devoir effectuer plusieurs cycles avant d'évacuer l'approvisionnement en gaz.
- C. Le chauffe-eau réchauffe seulement lorsqu'il y a une demande d'eau (ouvrir le robinet d'eau chaude).
- D. Pour fonctionner, le chauffe-eau doit contenir un minimum de 1,9 litres par minute.
- E. Le robinet doit être ouvert et ajusté à la température et au débit souhaité avant d'entrer dans la douche.
- F. Le bouton de la douche ne doit PAS être utilisé. Utiliser le bouton de la pomme de douche entraînera une chute de température en diminuant ou en interrompant l'écoulement d'eau par le chauffe-eau, ce qui provoquera sa fermeture.
- G. Les limites de débit sur les robinets et pommes de douche devraient être enlevés pour une meilleure performance.

POUR ÉTEINDRE LE ON DEMAND WATER HEATER

- 1. Pour les appareils qui utilisent l'ensemble de commutateur et d'éclairage, mettre l'interrupteur en position d'arrêt (OFF).
- 2. Pour les appareils qui utilisent le CENTRE DE COMMANDE instantané, appuyer sur le bouton de mise sous tension une fois.
- 3. Couper l'alimentation électrique de l'appareil.
- 4. Couper l'alimentation en gaz.
- 5. Si le véhicule sera entreposé ou si le chauffe-eau sera éteint lorsque soumis à des températures basses, vider le chauffe-eau. (Voir les « Instructions relatives à l'entreposage et au vidage ».)

ATTENTION

Pour votre sécurité, TOUTES les réparations et/ou l'entretien de l'appareil doivent être effectués par votre dépositaire ou un technicien d'entretien qualifié.

REMARQUE : Il doit y avoir une demande d'au moins 1,9 LPM pour que le brûleur fonctionne et le passage de l'eau. Cela continuera jusqu'à ce que l'écoulement d'eau soit coupé et que le système soit inactif.

1. S'assurer que l'alimentation en eau est OUVVERTE et qu'il n'y a pas de restrictions imposées à l'utilisation de l'eau.

IRREGULIERE : LE BRULEUR S'ALLUME, MAIS LA TEMPERATURE FLUCTUE DE FAÇON RAPIDEMENT :

- 1. Le débit d'eau est trop bas. Augmenter le débit avec le robinet.
- 2. Nettoyer toutes les pommes de douche, tous les aérateurs de robinet ou filtres d'aérateurs de robinet ou filtres d'aérateurs.
- 3. Nettoyer au besoin et enlever toute obstruction.
- 4. Vérifier l'air des tuyaux en ouvrant tous les robinets d'eau.
- 5. Si le chauffe-eau effectue son cycle en même temps que la pompe fonctionnant, réservoir d'accumulation est déjà installé, vérifier s'il y a de l'eau dans le réservoir et vérifier le réservoir jusqu'à ce qu'il contienne uniquement de l'air.
- 6. La pression de la source d'eau fluctue trop faiblement, provoquant une perte de débit. Vérifier que la source d'eau entrante est de 206,84 kPa.

LA TEMPERATURE DE L'EAU EST TROP BASSE LORSQUE LE DEBIT D'EAU EST PLUS BAS :

- 1. Le débit d'eau est trop bas. Augmenter le débit du robinet pour assurer un écoulement d'eau minimum de 1,9 LPM.
- 2. Pour les appareils avec les ensembles interrupteur et voyant standard, ajuster les commutateurs DIP à la température souhaitée. Se référer aux INSTRUCTIONS DE FONCTIONNEMENT AVEC L'ENSEMBLE D'INTERUPTEUR ET DE LUMIERE et voir la Figure 12 pour plus d'informations pour régler les commutateurs DIP à la température souhaitée.
- 3. Pour les appareils qui utilisent le CENTRE DE COMMANDE instantané, appuyer sur les touches HAUT ou BAS sur le CENTRE DE COMMANDE instantané pour augmenter le point de CONSIGNATION de la température par incréments simples. Se référer aux INSTRUCTIONS DE FONCTIONNEMENT AVEC LE CENTRE DE COMMANDE INSTANTANÉ EN OPTION et voir la Figure 13.

REMARQUE : Si votre chauffe-eau nécessite un débit excessif pour être activé (plus de 1,9 LPM), il est possible que de l'eau FROIDE soit purgée dans le côté de l'eau CHAUDE de votre système de distribution d'eau.

- 1. Vérifier que les soupapes et les robinets sont fermés lorsqu'ils ne sont pas en cours d'utilisation. Vérifier si la pomme de douche a un bouton/lévier ON/OFF (MARCHE/ARRÊT) et s'assurer qu'il est en position d'arrêt pour empêcher le On Demand Water Heater de fonctionner correctement.
- 2. Si votre VR possède une soupape de dérivation sur le raccord de la plomberie d'eau, s'assurer qu'elle est en position arrêt (OFF). Une soupape ouverte peut permettre à l'eau de contourner le chauffe-eau, provoquant ainsi l'échec de l'alimentation.
- 3. Connecter le fil ORANGE à la lampe LED (+) et au fil BLUE à la lampe LED (-).

AUCUN ALLUMAGE :

- Si le brûleur ne s'allume pas, les éléments suivants devraient être vérifiés avant d'appeler un technicien d'entretien :
- A. Interrupteur fermé.
- B. Alimentation de 12 Vcc est SOUS TENSION.
- C. L'alimentation en gaz du chauffe-eau est vide ou coupée.
- D. L'eau et le robinet sont ouverts.
- E. Vérifier la réinitialisation manuelle sur l'interrupteur ECO. **Se référer au POINT « A » de la Figure 9.**

Si le brûleur n'allume pas, appeler un centre d'entretien Suburban ou une agence d'entretien de VR locale.

ENTREE

AVERTISSEMENT

Si l'utilisateur de cet appareil ne le maintient pas dans l'état dans lequel il a été expédié de l'usine ou si l'appareil n'est pas utilisé uniquement pour son usage prévu ou n'est pas entretenu conformément aux instructions dans ce manuel, le risque d'incendie et/ou de production de monoxyde de carbone présent peut causer des blessures, des dommages matériels ou même la mort.

Pour votre sécurité, toutes les réparations devraient être effectuées par votre dépositaire ou un technicien d'entretien qualifié.

- A. Examiner l'appareil régulièrement pour déterminer la suite. S'il y a présence de suie sur le chauffe-eau, éteindre immédiatement l'appareil et contacter votre dépositaire ou un technicien qualifié. La suie indique une combustion incomplète et ce problème doit être corrigé avant de faire fonctionner le chauffe-eau. Les éléments à vérifier incluent :
 - 1. Vérifier si le bouchon de l'événement est obstrué.
 - 2. Vérifier qu'aucun corps étranger ne s'est accumulé dans l'événement.
 - 3. S'assurer qu'il n'y a pas de flamme au niveau de l'orifice du brûleur ou sur le brûleur lorsque le robinet de gaz principal est fermé. Ceci peut être vérifié en mettant l'interrupteur ON/OFF (MARCHE/ARRÊT) à la position d'arrêt.
- B. Vérifier le câblage et les raccords de câble régulièrement pour s'assurer que le câblage n'est pas endommagé/effloché et que toutes les bornes et raccords sont serrés conformément aux codes (Voir « Raccordements électriques »).

INSTRUCTIONS D'ENTREPOSAGE ET DE DRAINAGE

Si le VR est entreposé pendant l'hiver, le chauffe-eau doit être vidangé pour prévenir les dommages dus au gel.

- 1. Couper l'alimentation électrique du chauffe-eau avec l'interrupteur, le centre de commande instantané ou le retrait du fusible.
- 2. Fermer l'alimentation de gaz du chauffe-eau.
- 3. Éteindre la pompe à pression sur le système d'eau.
- 4. Ouvrir les robinets d'eau chaude et d'eau froide.
- 5. Retirer le panneau d'entretien pour avoir accès à la vanne de décharge du système.
- 6. Tourner le bouton du robinet de vidange dans le sens horaire des aiguilles d'une montre pour vider.
- 7. Suivre les instructions du fabricant de VR pour vider complètement le circuit d'eau.

REMARQUE : Le système devra être rempli d'eau et l'air devra être retiré des conduites avant de rallumer l'appareil.

REMARQUE : L'eau doit être vidée à l'extérieur du VR - Les tuyaux de drainage doivent être connectés aux systèmes d'évacuation et de condensation sur le chauffe-eau et reliés à l'extérieur du VR. Les tuyaux de drainage devraient être les plus courts possible et maintenir une chute de 6,35 mm par mètre de l'appareil. Voir la Figure 10.

PRÉPARATION POUR L'HIVER

- 1. Suivre les instructions du fabricant de VR pour vidanger complètement le circuit d'eau.
- 2. Une fois vidangé, de l'antigel NON TOXIQUE pour VR peut être ajouté si recommandé par votre fabricant d'autocars.

PROTECTION ANTIGEL

Le chauffe-eau NAUTILUS (IW60) a la demande à intégrer la PROTECTION DE CONGÉLATION et intermittente le cycle du brûleur lorsque la température de l'eau tombe en dessous de 4,4 ° C (40 ° F). Ce cycle intermittent se poursuivra jusqu'à ce que la température de l'eau ait dépassé 50 ° F (10,0 ° C). Pour fournir cette protection contre le gel, l'alimentation en gaz doit être allumée, le gaz doit être disponible et l'alimentation électrique doit être activée.

Si le On Demand Water Heater égoutte de l'eau dans le tuyau de vidange par temps froid lorsque la température de distribution de l'eau est sous 3,3 ° C et ne s'arrête pas lorsque la température est plus élevée que 3,3 ° C, appeler votre service d'entretien local. Le robinet peut être fermé en tournant le robinet à aiguille situé à l'avant du On Demand Water Heater de 5 tours et demi dans le sens des aiguilles d'une montre. Fermer le robinet désactivera

1. ARRÊTER! Lire les instructions de sécurité ci-dessus.
2. Couper l'alimentation électrique de l'appareil.
3. Couper l'alimentation en gaz.
4. Attendre cinq minutes pour que le gaz se dissipe de la zone. Si vous détectez une odeur de gaz, ARRÊTEZ! Suivre les instructions du point B des INFORMATIONS SUR LE FONCTIONNEMENT ET LA SÉCURITÉ. Si vous ne détectez pas d'odeur de gaz, passez à la prochaine étape.
5. Allumer l'alimentation en gaz.

AVEC L'ENSEMBLE INTERRUPTEUR ET VOYANT

INSTRUCTIONS DE FONCTIONNEMENT

- peut être bloqué, ne pas faire fonctionner le chauffe-eau avec la porte ouverte. s'assurer qu'il ne sera pas bloqué par l'ouverture d'une porte de la roulotte. Si il
- E. Avant de faire fonctionner le chauffe-eau, vérifier l'emplacement de l'eau. être immergé dans l'eau.
 - D. Ne pas tenter de réparer le robinet de gaz. Cela pourrait causer un incendie ou une explosion.
 - C. Cet appareil a un robinet de gaz automatique; aucun réglage n'est nécessaire.
 - Ne pas ouvrir l'alimentation en gaz jusqu'à ce que les fuites de gaz soient réparées.
 - Si l'installation n'est pas possible de joindre un fournisseur de gaz ou de technicien d'entretien des réparations.
 - Contacter le fournisseur de gaz ou le technicien d'entretien qualifié le plus près pour les réparations.
 - Ne pas faire démarrer le moteur du véhicule ou du générateur électrique.
 - Trouver dans le véhicule.
 - Ne toucher à aucun interrupteur électronique ou n'utiliser aucun téléphone ou radio se trouvant dans le véhicule.
 - Couper l'alimentation en gaz au niveau du réservoir ou à la source.
 - Faire sortir toutes les personnes du véhicule.
 - B. AVANT L'UTILISATION, humer l'air tout autour de l'appareil afin d'y détecter une éventuelle odeur de gaz. S'assurer de sentir au niveau du sol certains gaz sont plus lourds que l'air et s'accumulent au niveau du sol.
 - A. Cet appareil n'a pas de veilleuse. Il possède un dispositif d'allumage qui allume automatiquement le brûleur. Ne pas essayer d'allumer le brûleur à la main.
 - Ne pas ouvrir l'alimentation en gaz jusqu'à ce que les fuites de gaz soient réparées.
 - Si l'installation n'est pas possible de joindre un fournisseur de gaz ou de technicien d'entretien des réparations.
 - Contacter le fournisseur de gaz ou le technicien d'entretien qualifié le plus près pour les réparations.
 - Ne pas faire démarrer le moteur du véhicule ou du générateur électrique.
 - Trouver dans le véhicule.
 - Ne toucher à aucun interrupteur électronique ou n'utiliser aucun téléphone ou radio se trouvant dans le véhicule.
 - Couper l'alimentation en gaz au niveau du réservoir ou à la source.
 - Faire sortir toutes les personnes du véhicule.

Si l'utilisateur de cet appareil ne le maintient pas dans l'état dans lequel il a été expédié de l'usine ou si l'appareil n'est pas utilisé uniquement pour son usage prévu ou n'est pas entretenu conformément aux instructions dans ce manuel, le risque d'incendie et/ou de production de monoxyde de carbone présent peut causer des blessures, des dommages matériels ou même la mort.

Ne pas suivre ces instructions à la lettre peut provoquer un incendie ou une explosion pouvant causer des dommages matériels et corporels et la mort.

AVERTISSEMENT

INFORMATION RELATIVE À LA SÉCURITÉ DU FONCTIONNEMENT POUR VOTRE SÉCURITÉ, LIRE AVANT D'ALLUMER

Ne pas utiliser de flamme nue pour détecter une fuite de gaz!

AVERTISSEMENT

Les capacités du tableau sont basées sur le diamètre intérieur du tube en cuivre de TYPE K

Longueur (Mètres)	Capacité en milliers de BTU par heure			
	Quiside Diameter:	0.375	0.500	0.625
3,048	45	93	188	329
6,096	31	64	129	226
9,144	25	51	104	182
12,192	21	44	89	155
15,24	19	39	79	138

Dimensions de la tubulure entre un régulateur unique ou de deuxième étage (basse pression) et un appareil.

Puisissance nominale:	K & L:		ACR:	
	9,5 mm	12,7 mm	15,8 mm	19 mm
Quiside Diameter:	0,375	0,500	0,625	0,750
Insidie Diameter:	0,305	0,402	0,527	0,652

USAGE PRÉVU : Dimensions de la tubulure entre un régulateur unique ou de deuxième étage (basse pression) et un appareil.

La capacité maximale de la conduite de gaz en pieds cubes par heure pour une pression de gaz de 3,45 kPa ou moins et une chute de pression de colonne d'eau de 7,62 mm

- service principale.
- REMARQUE** : La pression de commutation peut être plus basse que la pression de Water Heater et d'autres appareils fonctionnant au gaz.
- peut maintenir un débit de gaz approprié pendant le fonctionnement du On Demand Water Heater NAUTILUS (IW60), examiner le régulateur de gaz pour vous assurer qu'il fonctionne correctement.
- REMARQUE** : Lorsque vous remplacez votre chauffe-eau par un On Demand Water Heater NAUTILUS (IW60), ajuster immédiatement la moindre fuite.
- A. Raccorder la conduite de gaz de 0,95 cm au raccord évassé de 0,95 cm du robinet à gaz. Lorsque vous effectuez le raccordement de gaz, maintenir le raccord de gaz sur le robinet avec une clé lorsque vous serrez l'érou évassé. Le fait de ne pas solidement maintenir le raccord peut entraîner une fuite de gaz en raison d'un raccord endommagé.
 - B. Allumer le gaz et vérifier tous les raccords et raccordements à l'aide d'une solution à base d'eau et de savon. Corriger immédiatement la moindre fuite.

RACCORDEMENTS DE GAZ

1. Avec l'interrupteur ON/OFF (MARCHE/ARRÊT) : Mettre l'interrupteur en position d'arrêt (OFF) et ensuite le remettre en position de marche (ON).
2. Avec le CENTRE DE COMMANDE instantané : Fermer et ouvrir le robinet.
3. REMARQUE : Le On Demand Water Heater NAUTILUS (IW60) possède un circuit de conservation d'énergie qui étend le système de redémarrage, suivre les instructions de l'ÉTAPE 9 A ou B ci-dessus.

INSTRUCTIONS DE FONCTIONNEMENT

- échoeur, le chauffe-eau entrera en mode verrouillage et ne tentera plus d'allumer le brûleur. Pour redémarrer :
- a. Avec l'interrupteur ON/OFF (MARCHE/ARRÊT) : Mettre l'interrupteur en position d'arrêt (OFF) et ensuite le remettre en position de marche (ON).
 - b. Avec le CENTRE DE COMMANDE instantané : Fermer et ouvrir le robinet.
- REMARQUE : Le moteur du ventilateur fonctionnera pendant environ 20 secondes après la fermeture du robinet d'eau chaude.
8. Si l'INTERRUPTEUR ON/OFF (MARCHE/ARRÊT) ou le CENTRE DE COMMANDE instantané sont laissés sur ON (MARCHE), aucune autre mesure n'est requise de l'utilisateur.
 9. Si, pour une quelconque raison, le chauffe-eau n'allume pas, une deuxième tentative d'allumage (TF1) débutera automatiquement. Si la deuxième tentative d'allumage (TF1) échoue, le chauffe-eau amorcera automatiquement une troisième tentative d'allumage (TF1). Si la troisième tentative d'allumage (TF1) échoue, le chauffe-eau entrera en mode verrouillage et ne tentera plus d'allumer le brûleur. Pour redémarrer :

SÉQUENCE DE FONCTIONNEMENT

- La séquence de fonctionnement suivante sera la même avec l'utilisation de l'interrupteur ON/OFF (MARCHE/ARRÊT) ou le CENTRE DE COMMANDE instantané en option.
1. Ouvrir un robinet d'eau chaude active le On Demand Water Heater.
 2. Le chauffe-eau détecte le débit d'eau.
 3. Le chauffe-eau trouve que le ventilateur d'air de combustion fonctionne.
 4. La chambre de combustion est ensuite purgée de tout gaz brut restant.
 5. Le brûleur s'allume et prouve la présence de flamme.
 6. La durée approximative pour mettre le robinet sur l'allumage est de 7 secondes. Après la séquence initiale d'allumage et le maintien de la température du chauffe-eau, le cycle d'allumage est réduit à environ 5 secondes.
 - b. Les brûleurs resteront allumés jusqu'à ce que le débit d'eau soit coupé.
 6. Le débit d'eau chaude au point de CONSIGNÉ commence environ 3 secondes après l'allumage mais n'atteindra pas le robinet jusqu'à ce que les conduites d'eau menant au robinet soient purgées de toute eau restante. Ce temps est déterminé par la longueur de la conduite d'eau chaude.
 7. Lorsque le robinet d'eau chaude est fermé, le chauffe-eau s'éteint et reste en état opérationnel jusqu'à ce qu'il y ait une demande d'eau chaude.

RELATIVES À LA SÉCURITÉ

1. ARRÊTER! Lire les instructions de sécurité ci-dessus.
2. Couper l'alimentation électrique de l'appareil.
3. Couper l'alimentation en gaz.
4. Attendre cinq minutes pour que le gaz se dissipe de la zone. Si vous détectez une odeur de gaz, ARRÊTEZ! Suivre les instructions du point B des INFORMATIONS RELATIVES À LA SÉCURITÉ. Si vous ne détectez pas d'odeur de gaz, passez à la prochaine étape.
5. Allumer l'alimentation en gaz.
6. Mettre l'appareil sous tension.
7. Appuyer sur le bouton de mise en marche. Le CENTRE DE COMMANDE instantané est illustré à la Figure 13. Votre CENTRE DE COMMANDE instantané se trouve quelque part dans le VR. Le chauffe-eau fonctionne en fonction du « débit ». Pour que l'appareil fonctionne, un robinet d'eau chaude doit être OUVERT à un minimum de 1,9 LPM. Si le brûleur ne s'allume pas, le système tentera automatiquement d'effectuer deux autres essais d'allumage avant le verrouillage.
8. Si un verrouillage se produit, l'appareil doit être réinitialisé en fermant le robinet, puis en ouvrant le robinet ou en mettant l'interrupteur du Centre de commande instantané hors tension, puis sous tension. Le premier démarrage du chauffe-eau pourrait nécessiter quelques cycles d'allumage avant que l'air soit évacué des conduites de gaz.

LE CENTRE DE COMMANDE EN OPTION

Les commutateurs DIP numérotés 1 et 2 doivent conserver les réglages d'usine par défaut.

AVERTISSEMENT

- la température souhaitée.
1. Réviser le PANNÉAU D'ENTRETIEN tel qu'illustré à la Figure 9.
 2. Réviser l'ensemble de quatre (4) commutateurs DIP situés sur la carte du module de régulation de la température de l'eau, vous devrez accéder à l'avant du chauffe-eau.
 3. On Demand Water Heater est réglé en usine à 49 °C (120 °F). Pour modifier les réglages de la température de l'eau, vous devrez accéder à l'avant du chauffe-eau.
 4. Si un verrouillage se produit, l'appareil doit être réinitialisé en fermant le robinet, puis en ouvrant le robinet ou en mettant l'interrupteur hors tension, puis sous tension. Le premier démarrage du chauffe-eau pourrait nécessiter quelques cycles d'allumage avant que l'air soit évacué des conduites de gaz.
 5. On Demand Water Heater est réglé en usine à 49 °C (120 °F). Pour modifier les réglages de la température de l'eau, vous devrez accéder à l'avant du chauffe-eau.
 6. Mettre l'appareil sous tension.
 7. Placer l'interrupteur qui fait fonctionner le chauffe-eau à la position « ON » (MISE SOUS TENSION). L'interrupteur est illustré à la Figure 12. Votre interrupteur de régulation de la température de l'eau doit être OUVERT à un minimum de 1,9 LPM. Si le brûleur ne s'allume pas, le système tentera automatiquement d'effectuer deux autres essais d'allumage avant le verrouillage. Lorsque la lumière demeure allumée, le système est en mode verrouillage.
 8. Si un verrouillage se produit, l'appareil doit être réinitialisé en fermant le robinet, puis en ouvrant le robinet ou en mettant l'interrupteur hors tension, puis sous tension. Le premier démarrage du chauffe-eau pourrait nécessiter quelques cycles d'allumage avant que l'air soit évacué des conduites de gaz.

- Placez l'unité sur le plancher (vérifiez que les conduites d'évent sont alignées avec le tube de débranchement et l'ouverture de l'air de combustion dans l'unité).
- Les conduites de drainage devraient être connectées au système et aux conduites de condensation du chauffe-eau à la demande et à l'extérieur du VR. Les lignes de drainage doivent être aussi courtes que possible et doivent maintenir une pente de 1/4" par pied de l'unité. Voir la figure 5.
- Installez l'ensemble de ventilation. Voir la figure 6.
 - Le cap de ventilation doit être commandé séparément. Voir le TABLEAU 1 pour les tailles de ventilation et les numéros de pièces. Un chevauchement minimum de 1,25" est requis sur les gaz d'échappement.
 - Appliquez un cordon de silicone autour du bouchon de ventilation comme illustré à la Figure 6.
 - Installez le capuchon d'évent comme illustré à la Figure 8. Assurez-vous que l'assemblage est scellé sur le mur extérieur pour éviter les fuites.
- Vissez l'avant de l'unité au sol en utilisant les deux supports. Comme indiqué sur la Figure 5. Si nécessaire, les supports peuvent être déplacés vers l'arrière de l'appareil comme indiqué sur la Figure 7B.
- Effectuez des connexions électriques au gaz, à l'eau et à l'électricité conformément aux instructions contenues dans ce manuel fourni avec le chauffe-eau à la demande Suburban NAUTILUS (IW60).

INSTALLATION À L'AIDE D'UN PANNEAU DE REMPLACEMENT

Un panneau de remplacement est utilisé lors du remplacement des unités de réservoir Suburban 6, 10, 12 et 16 gallons et les réservoirs Atwood Style 6 et 10 gallons.

- Sur les murs de type mesa ou yodert, aplatir la zone de paroi autour de l'ouverture. Appliquez une ligne continue de caiffetage approuvé sur la paroi RV autour des quatre côtés de l'ouverture et autour du cadre du panneau de remplacement, comme le montre la Figure 8. Requis pour créer un joint étanche à l'eau du cadre à la paroi RV.
- Centrez et installez le cadre du panneau de remplacement caiffeté dans l'ouverture. Pousser le châssis fermement contre la paroi du VR sur le caiffetage précédemment appliqué à l'étape 2. Fixez le cadre avec les huit (8) vis fournies dans la paroi RV, comme illustré à la Figure 8.
- Localisez l'armoire chauffante à peu près même avec le mur RV intérieur. Voir la Figure 7B. Si vos fils fixés à l'unité sur le sol à l'aide des supports de montage FRONT, passez à STEP 5. Pour monter le chauffe-eau à l'aide de la méthode de montage ARIERE, retirez les deux supports de fixation de l'avant et fixez-les sur les trous filetés à l'arrière de l'unité. Viser l'arrière de l'unité au sol en utilisant les deux supports. Voir la Figure 7B.
- A l'aide du joint fourni avec le kit, appliquez le joint d'étanchéité en commençant au centre du fond du cadre de remplacement. Adhérer le côté adhésif du joint d'étanchéité sur le cadre du panneau de remplacement et installer le joint tout autour du cadre. Assurez-vous que les extrémités du joint d'étanchéité se fixent au panneau de remplacement au cadre comme indiqué sur la Figure 8 en utilisant les cinq (5) vis fournies.
- Le capuchon d'évent doit être commandé séparément. Voir le tableau 1 pour les tailles d'événement et les numéros de pièces. Il doit y avoir un minimum de 1,25" (31,8 mm) de chevauchement du tube d'assemblage d'évent sur le tube de drainage de l'unité sur le chauffe-eau à la demande et doit maintenir une pente minimale de 1/4" par pied. (6,4 mm par 305 mm) de l'unité. Voir la figure 5.

- Les conduites de vidange doivent être connectées au système et aux conduites de condensation du chauffe-eau à la demande et à l'extérieur du VR. Les lignes de drainage doivent être aussi courtes que possible et doivent maintenir une pente minimale de 1/4" par pied. (6,4 mm par 305 mm) de l'unité. Voir la figure 5.
- Installez le capuchon d'évent comme indiqué sur la Figure 8 avec quatre (4) vis. Assurez-vous que l'assemblage est scellé sur le mur extérieur pour éviter les fuites.
- Vissez l'avant de l'unité au sol en utilisant les deux supports comme indiqué sur la Figure 5.
- Appliquez un caiffetage en silicone autour des bords chanfreinés du panneau de remplacement comme indiqué sur la Figure 8. Ne pas caiffeter le bas du panneau de remplacement.
- Effectuez des connexions de gaz, d'eau et électriques en suivant les instructions contenues dans ce manuel fourni avec le chauffe-eau Suburban Nautilus IW60 On Demand.
- Les conduites de vidange doivent être connectées au système et aux conduites de condensation du chauffe-eau à la demande et à l'extérieur du VR. Les lignes de drainage doivent être aussi courtes que possible et doivent maintenir une pente minimale de 1/4" par pied. (6,4 mm par 305 mm) de l'unité. Voir la figure 5.

NUMÉROS DE PIÈCES DU PANNEAU D'ACCÈS

MARQUE	CAPACITÉ	NUMÉRO DE PIÈCE
SUBURBAN	22,7 LITRES	6276APW (Blanc polaire)
SUBURBAN	37,8, 45,42, 60,5 LITRES	6277APW (Blanc polaire)
ATWOOD	22,7 LITRES	521147 (Blanc polaire)
ATWOOD	37,85 LITRES	521150 (Blanc polaire)

NUMÉRO DE PIÈCE	LONGUEUR DU BOUCHON DE L'ÉVENT	DIMENSION MAXIMALE "X"
260616	0 à 2,54 cm	2,97 cm
260617	2,54 à 5,08 cm	5,51 cm
260618	5,08 à 7,62 cm	8,05 cm
260638	12,70 à 15,24 cm	15,67 cm

TABLEAU 1

3

- Les raccordements électriques doivent être effectués conformément aux codes et règlements locaux. En l'absence de codes et de règlements locaux, se référer au Canada, l'installation électrique doit être conforme à la norme CSA Z240.6-2-08/ C22.2 n° 148-08. Exigences électriques pour les véhicules récréatifs.
- Effectuez les raccordements électriques 12 Vcc en se référant aux schémas électriques de la Figure 11.
- Si l'alimentation provient d'un convertisseur, nous recommandons que le circuit de convertisseur soit câblé en parallèle avec la pile. Cela aura deux objectifs :
 - Fournir une tension constante
 - Filter les pointes de courant alternatif ou les surtensions.
 Nous vous recommandons d'utiliser des bornes isolées pour tous les raccordements électriques.
- Installez l'ensemble INTERRUPTEUR ET VOYANT (VOIR LA FIGURE 12) L'interrupteur ON/OFF (MARCHE/ARRÊT) est câblé, comme illustré dans le schéma de câblage. Voir la Figure 11.
- Il existe une connexion pour un voyant de verrouillage. (S'il est utilisé, ce voyant s'allume si l'appareil passe en mode verrouillage. L'eau doit être fermée et ouverte pour réinitialiser l'appareil.)

INSTALLATION DU CENTRE DE COMMANDE INSTANTANÉ EN OPTION (VOIR LA FIGURE 13)

AVERTISSEMENT

Ne pas utiliser sur les circuits dépassant la tension indiquée. Une tension plus élevée endommagera le centre de commande et peut poser un risque d'électrocution et d'incendie. Ne pas court-circuiter les bornes sur le robinet de gaz ou la commande primaire pour effectuer les essais. Un câblage court ou inapproprié endommagera le thermostat et pourrait entraîner des dommages corporels et/ou matériels.

- Le centre de commande instantané est câblé tel qu'illustré dans le schéma de câblage. Voir la Figure 11.
- Installez le CENTRE DE COMMANDE instantané sur une surface du mur adjacente au On Demand Water Heater.
- Retirez le couvercle arrière du centre de commande en le loquant au bas.
- Retirez l'entrée défonçable du couvercle arrière. Percez un trou pour le câblage du centre de commande. Voir la Figure 14.
- Installer le couvercle arrière au mur.
- Achetez les câbles par le couvercle arrière et le trou dans le mur.
- Raccordez les deux fils blancs du centre de commande instantané aux deux fils blancs du On Demand Water Heater. Voir la Figure 11.
- Le CENTRE DE COMMANDE instantané en option affiche la température de l'eau et permet d'ajuster la température de l'eau de sortie (54 °C maximum).

CENTRE DE COMMANDE INSTANTANÉ	NUMÉRO DE PIÈCE
NOIR	161253
BLANC	161252

RACCORDEMENTS DE DRAINS

- Les connexions de vidange sont effectuées à l'avant du chauffe-eau. Reportez-vous à la Figure 5. Connectez un tuyau de diamètre intérieur de 5/8 poches au raccord de drain du système prévu à l'avant de l'appareil. Raccordez le tuyau de diamètre intérieur de 1/2 pouce au raccord de condensation fourni à l'avant de l'unité.
- Les lignes de drainage doivent courir vers l'extérieur de la caravane. Les lignes de drainage devraient être aussi courtes que possible et doivent maintenir une pente minimale de 1/4 de pouce par pied. (6,4 mm par 305 mm). Voir la figure 5.

RACCORDEMENTS À L'EAU

- Les raccordements à l'eau s'effectuent à l'avant du chauffe-eau. Se référer à la Figure 5. Raccorder les canalisations d'eau chaude et d'eau froide au raccord de tuyau femelle NPT 1,25 cm fourni à l'avant de l'appareil. Ces raccords sont marqués HOT (Chaud) et COLD (Froid).
- IMPORTANT : Utiliser un composé pour filetage approprié pour l'eau potable ou un ruban pour filetage de tuyau sur tous les raccords pour s'assurer qu'il n'y ait pas de fuite.
- Pour faciliter le retrait, il est recommandé d'installer un raccord de tuyau dans chaque canalisation d'eau.
- Remplir le système d'eau. Ouvrir les robinets d'eau chaude et d'eau froide pour évacuer l'air du système. Lorsque le système est rempli et que l'eau s'écoule du robinet, fermer les deux robinets et vérifier s'il y a des fuites dans les raccords.

ATTENTION

Si vous utilisez la pression atmosphérique pour vérifier s'il y a des fuites, la pression ne peut pas dépasser 206,84 kPa, conformément à la norme NFPA 1192.

REMARQUE : À la suite des essais d'étanchéité, évacuer l'eau du système. Voir la Figure 10. Se référer aux INSTRUCTIONS DE VIDANGE ET D'ENTREPOSAGE de ce manuel pour évacuer l'eau du système.

▲ AVERTISSEMENT DE SÉCURITÉ
<p>En cas de surchauffe ou de non-fermeture de l'alimentation en gaz, fermer le robinet de gaz manuel de l'appareil avant de couper l'alimentation électrique.</p> <p>Ne pas utiliser cet appareil si une pièce a été immergée dans l'eau. Appeler immédiatement un technicien en entretien qualifié pour inspecter l'appareil et remplacer toute pièce du système de contrôle ou de la commande de gaz qui a été immergée dans l'eau.</p> <p>Ne pas modifier le fonctionnement de votre chauffe-eau ou changer sa conception/construction. Les accessoires sont commercialisés pour les produits VR que nous ne recommandons pas. Pour votre sécurité, seules les pièces autorisées par le fabricant peuvent être utilisées sur le chauffe-eau.</p> <p>Vérifier régulièrement si l'évent est obstrué ou s'il y a présence de suie. La suie se forme lors d'une combustion incomplète. C'est une indication visuelle que le chauffe-eau ne fonctionne pas d'une manière sécuritaire. S'il y a de la suie, arrêter le chauffe-eau et contacter votre dépositaire ou un technicien qualifié.</p> <p>Au moment de l'ajout d'une pièce, d'un porche ou d'un patio, la ventilation du chauffe-eau doit faire l'objet d'une attention particulière. Pour votre sécurité, ne pas installer la sortie de l'évent de votre chauffe-eau vers l'intérieur d'une pièce, d'une véranda avec moustiquaire ou d'un patio. Sinon, les produits de combustion seraient évacués dans une pièce ou dans une aire occupée.</p> <p>Ne jamais faire fonctionner l'appareil si vous détectez une odeur de gaz. Ne pas présumer que l'odeur de gaz dans votre VR est normale. Chaque fois qu'une odeur de gaz est détectée, elle doit être corrigée immédiatement. Éviter toutes flammes nues, y compris les cigarettes, et faites sortir toutes les personnes du véhicule. Couper l'alimentation en gaz au niveau du robinet de la bouteille. (Voir l'avis de sécurité sur la page de couverture du manuel.)</p>
▲ AVERTISSEMENT
<p>Ne pas entreposer ou utiliser de matériaux ou liquides combustibles à proximité ou adjacent à ce chauffe-eau. Cet appareil ne doit pas être installé à un endroit dans lequel il peut y avoir présence de liquides ou vapeurs inflammables.</p>
▲ AVERTISSEMENT
<p>S'assurer que l'alimentation électrique du système d'allumage du chauffe-eau est éteinte pendant tout type de réapprovisionnement et lorsque le véhicule est en mouvement ou remorqué.</p> <p>Le thermostat sur votre chauffe-eau peut être ajusté. C'est une limite de captage de la température visant à maintenir la température d'usine de 48 °C (120 °F). (Voir les instructions d'installation) Les températures de l'eau au-dessus de 52 °C (125 °F) peuvent causer des blessures ou la mort par échaudure. Par conséquent, soyez prudents lorsque vous utilisez l'eau chaude. Les enfants, les personnes handicapées et les personnes âgées présentent un risque plus élevé de s'ébouillanter. Vérifier l'eau avant de prendre votre bain ou douche.</p>

▲ AVERTISSEMENT
<p>L'installation de cet appareil doit être effectuée conformément aux instructions écrites fournies dans ce manuel. Aucun agent, représentant ou employé de Suburban ou autre personne n'a l'autorité de changer, de modifier ou de renoncer à toute disposition des instructions contenues dans ce manuel.</p>
▲ ATTENTION
<p>Un bouchon d'évent Suburban doit être installé sur l'appareil et tous les panneaux d'inspection latéraux doivent être en place pour un fonctionnement sécuritaire du chauffe-eau.</p> <p>Si possible, ne pas installer le chauffe-eau à un endroit où les événements peuvent être couverts ou obstrués lorsqu'une porte de la roulotte est ouverte. Si cela n'est pas possible, le déplacement de la porte doit être limité afin d'assurer un dégagement minimum de 152 mm entre l'évent du chauffe-eau et toute porte chaque fois que celle-ci est ouverte.</p> <p>En raison des différences dans les paramètres de vinyle, cet appareil ne devrait pas être installé sur un parament de vinyle sans avoir d'abord consulté le fabricant de ce parament ou sans couper le parament autour de l'évent de l'appareil.</p> <p>Pour toute installation dans laquelle l'évent de cet appareil peut être obstrué en raison de la construction du VR ou d'une fonctionnalité particulière du VR telle que les rallonges coulisantes, les toits télescopiques et autres, toujours s'assurer que l'appareil ne peut pas fonctionner en réglant le thermostat sur la position d'arrêt (« Off ») positif et en coupant l'alimentation électrique de l'appareil.</p> <p>Ne pas installer cet appareil à un endroit où l'évent donne en-dessous d'une rallonge coulisante. Cet appareil ne doit pas être installé sous un surplomb. Il doit être libre et ne comprendre aucun type de surplomb.</p>
CONDITIONS D'INSTALLATION
▲ AVERTISSEMENT
<p>L'installation de cet appareil doit être effectuée conformément aux instructions écrites fournies dans ce manuel. Aucun agent, représentant ou employé de Suburban ou autre personne n'a l'autorité de changer, de modifier ou de renoncer à toute disposition des instructions contenues dans ce manuel.</p>
▲ ATTENTION
<p>Cette installation doit être conforme aux exigences de l'autorité compétente ou, en l'absence de ces exigences, à la dernière édition du Code national sur les gaz (NFPA 54 et à la dernière édition de l'International Mechanical Code (IMC)).</p> <p>Au Canada, l'installation doit être conforme aux normes suivantes : norme nationale américaine pour les véhicules récréatifs (ANSRV), NFPA 1192. norme nationale américaine pour les véhicules récréatifs (ANSRV), NFPA 1192.</p> <p>A. Gaz - Norme CSA Z240.4-2-08, Exigences relatives à l'installation d'appareils au propane et d'équipement dans des véhicules récréatifs. 2. Électrique - Norme CSA C22.2 n° 148/Z240.6-2-08/C22.2 n° 148-08, Exigences électriques pour les véhicules récréatifs. 3. Plomberie - Norme CSA Z240.3-2 Exigences de plomberie pour véhicules récréatifs.</p> <p>B. L'appareil doit être débranché du réseau d'alimentation en gaz pendant les essais de pression du système. C. L'appareil et ses raccords de gaz doivent être vérifiés avant de mettre l'appareil en marche. D. Tout l'air de combustion doit être fourni depuis l'extérieur de la structure. L'air de combustion ne doit pas provenir d'espaces occupés. E. Le dégagement minimum d'une construction combustible sur les côtés et le dessus doit être de 6,35 mm. Laisser de l'espace pour pouvoir avoir accès à l'arrière et au côté gauche du chauffe-eau pour l'entretien. F. Choisir un emplacement pour l'installation qui est éloigné des câbles, tuyaux, etc., qui pourraient nuire à l'installation. G. Lorsqu'un appareil est installé directement sur du tapis, des carreaux ou autres matériaux combustibles autres qu'un parquet, l'appareil doit être installé sur un panneau de métal ou de bois sur toute la profondeur de l'appareil. Si préférés, les tapis, les carreaux ou les matériaux combustibles autres que le bois peuvent être coupés sur toute la longueur de l'appareil ainsi que sur le dégagement minimum de l'appareil des combustibles. H. Une bonne mise à la terre de l'unité est recommandée pour atténuer l'accumulation de charge électrostatique en fixant un fil isolé de terre de calibre 12 au potier de l'unité à la vis de terre vers l'extrémité avant du VR. I. Ne pas installer le chauffe-eau avec l'évent orienté vers l'extrémité avant du véhicule. Voir les figures 1, 2 et 3. J. Il doit y avoir un accès pour enlever l'appareil à des fins d'entretien.</p>

INSTALLATION SANS PANNEAU DE REMPLACEMENT

1. Localiser la zone pour l'installation de l'unité. L'unité doit être installée le plus près possible du mur. Marquer la paroi comme illustré à la Figure 4 et coupez un trou de diamètre de 3,750 "pour l'installation de l'évent. Sur les parois latérales de type mesa ou yoder, il peut être nécessaire d'aplatir la zone où l'évent doit être installé pour assurer l'étanchéité autour de l'ensemble de ventilation.

MANUEL D'INSTALLATION ET D'UTILISATION

NAUTILUS ON DEMAND WATER HEATER (IW60) GAZ À ÉVACUATION DIRECTE *avec ALLUMAGE DIRECT PAR ÉTINCELLE* POUR INSTALLATION DANS DES VÉHICULES RÉCRÉATIFS



Intertek

▲ AVERTISSEMENT

Vidanger ou remplir avec de l'antigel approuvé pour véhicules récréatifs si exposé à des températures de congélation lors de l'entreposage en hiver.

▲ AVERTISSEMENT

L'installation de cet appareil doit être effectuée conformément aux instructions écrites fournies dans ce manuel. Aucun agent, représentant ou employé de Suburban ou autre personne n'a l'autorité de changer, de modifier ou de renoncer à toute disposition des instructions contenues dans ce manuel.

Un réglage, une modification, un service, une réparation ou un entretien inadéquat peuvent entraîner des blessures ou la mort. Lire et observer toutes les instructions et précautions de ce manuel. L'installation et l'entretien doivent être effectués par une agence d'entretien qualifiée ou le fournisseur de gaz.

▲ AVERTISSEMENT

Le non-respect des consignes de sécurité pourrait entraîner des blessures graves, la mort ou des dégâts matériels.

— Ne pas entreposer ou utiliser d'essence ou d'autres vapeurs et liquides inflammables à proximité de l'appareil ou de tout autre appareil.

— QUE FAIRE EN PRÉSENCE D'UNE ODEUR DE GAZ

- Faire sortir toutes les personnes du véhicule.
- Couper l'alimentation en gaz au niveau du réservoir ou à la source.
- Ne toucher à aucun interrupteur électronique ou n'utiliser aucun téléphone ou radio se trouvant dans le véhicule.
- Ne pas faire démarrer le moteur du véhicule ou du générateur électrique.

- Contacter le fournisseur de gaz ou le technicien d'entretien qualifié le plus près pour les réparations.
- S'il n'est pas possible de joindre un fournisseur de gaz ou de technicien d'entretien qualifié, contacter le service des incendies le plus près.
- Ne pas ouvrir l'alimentation en gaz jusqu'à ce que les fuites de gaz soient réparées.

— L'installation et l'entretien doivent être effectués par un installateur qualifié, un service d'entretien ou un fournisseur de gaz.



AIRXCEL, INC. - SUBURBAN DIVISION
676 Broadway Street • Dayton, Tennessee 37321
423-775-2131 • www.Airxcel.com

UN ODORESANT EST AJOUTÉ AU GAZ UTILISÉ PAR CE CHAUFFE-EAU.
INSTALLATEUR : APPOSER CES INSTRUCTIONS SUR OU À PROXIMITÉ DU CHAUFFE-EAU.
PROPRIÉTAIRE : CONSERVER CES INSTRUCTIONS ET LA GARANTIE AUX FINS DE CONSULTATION ULTÉRIEURE.
TOUTES QUESTIONS DE NATURE TECHNIQUE OU RELATIVES À LA GARANTIE DOIVENT ÊTRE ADRESSÉES À L'ENTREPRISE FIGURANT SUR LA GARANTIE OU LA PLAQUE SIGNALÉTIQUE DU CHAUFFE-EAU.